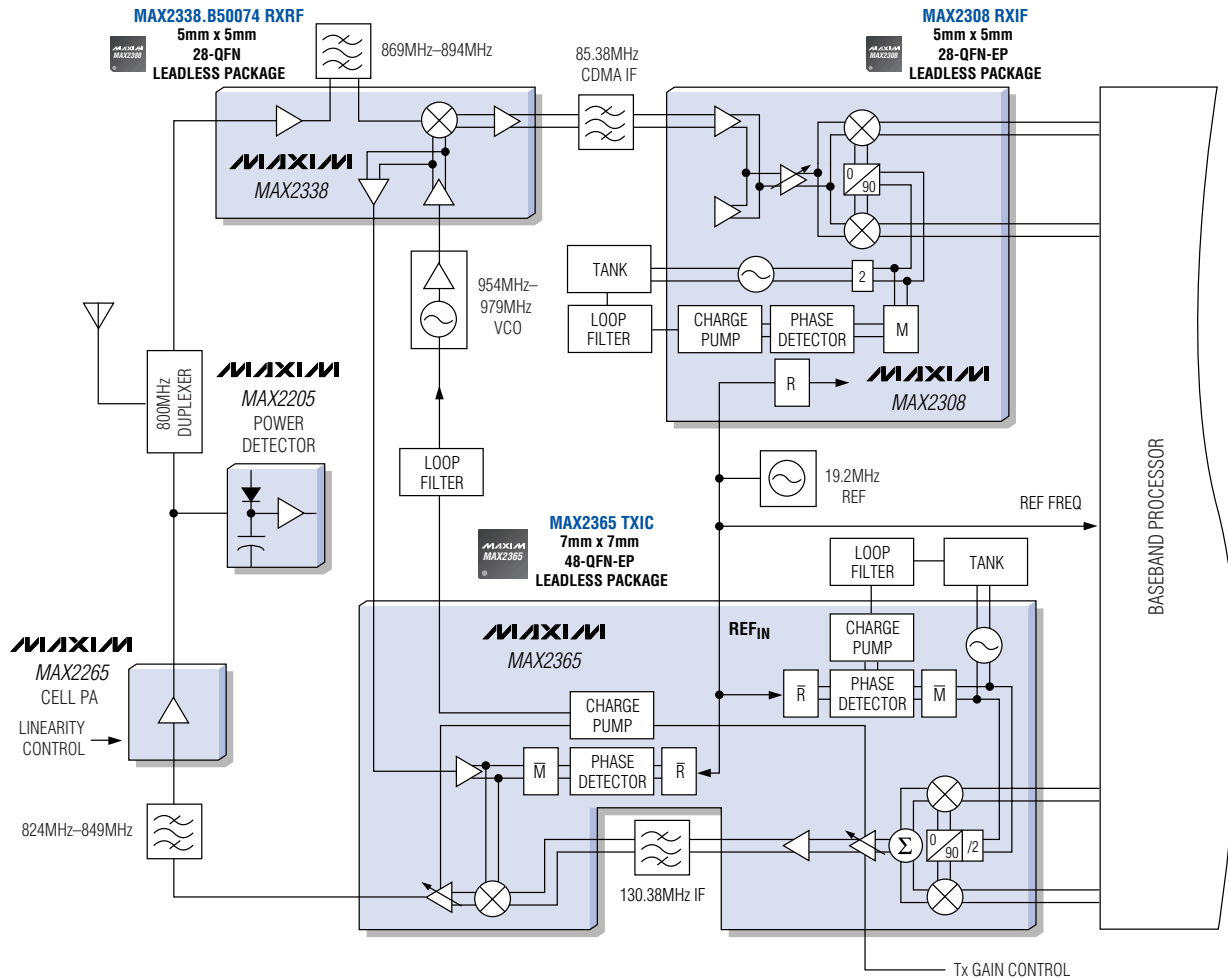


Production-Proven, Single-Band Cellular Chipset for Asia and South America

Maxim's single-band production cellular radio is a proven, high-performance solution. For a quick-turn design that yields great sensitivity and offers a low-cost BOM, the Maxim cellular chipset is the ideal choice.



MAX2338EGI.B50074 LNA/Mixer

- High-Sensitivity Receiver
- On-Chip LO Buffer
- Low Current Consumption
- 5mm x 5mm, 28-Pin QFN Package

MAX2308EGI Receive IF

- Highly Integrated Rx IF/Synthesizer Solution
- On-Chip IF VCO
- 5mm x 5mm, 28-Pin QFN Package

MAX2365EGM Quadrature Transmitter

- Full Quadrature Transmitter Solution
- On-Chip Synthesizer and IF VCO
- 7mm x 7mm, 48-Pin QFN Package

MAX2265EUP Power Amplifier

- Optimized for Low-Current Draw across Gain States
- Small, 16-Pin TSSOP-EP Package

