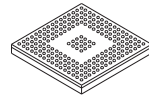


# MCF547x ColdFire® Microprocessor

Supports MCF5470, MCF5471,  
MCF5472, MCF5473, MCF5474, and  
MCF5475

## MCF547x



TEPBGA-388  
27 mm x 27 mm

### Features list:

- ColdFire V4e Core
  - Limited superscalar V4 ColdFire processor core
  - Up to 266 MHz peak internal core frequency (410 MIPS [Dhrystone 2.1] @ 266 MHz)
  - Harvard architecture
  - 32-Kbyte instruction cache
  - 32-Kbyte data cache
  - Memory Management Unit (MMU)
    - Separate, 32-entry, fully-associative instruction and data translation lookahead buffers
  - Floating point unit (FPU)
    - Double-precision conforms to IEEE-754 standard
    - Eight floating point registers
- Internal master bus (XLB) arbiter
  - High performance split address and data transactions
  - Support for various parking modes
- 32-bit double data rate (DDR) synchronous DRAM (SDRAM) controller
  - 66–133 MHz operation
  - Supports DDR and SDR DRAM
  - Built-in initialization and refresh
  - Up to four chip selects enabling up to one GB of external memory
- Version 2.2 peripheral component interconnect (PCI) bus
  - 32-bit target and initiator operation
  - Support for up to five external PCI masters
  - 33–66 MHz operation with PCI bus to XLB divider ratios of 1:1, 1:2, and 1:4
- Flexible multi-function external bus (FlexBus)
  - Provides a glueless interface to boot flash/ROM, SRAM, and peripheral devices
  - Up to six chip selects
  - 33 – 66 MHz operation
- Communications I/O subsystem
  - Intelligent 16 channel DMA controller
  - Up to two 10/100 Mbps fast Ethernet controllers (FECs) each with separate 2-Kbyte receive and transmit FIFOs
  - Universal serial bus (USB) version 2.0 device controller
    - Support for one control and six programmable endpoints, interrupt, bulk, or isochronous
      - 4-Kbytes of shared endpoint FIFO RAM and 1 Kbyte of endpoint descriptor RAM
    - Integrated physical layer interface
  - Up to four programmable serial controllers (PSCs) each with separate 512-byte receive and transmit FIFOs for UART, USART, modem, codec, and IrDA 1.1 interfaces
  - I<sup>2</sup>C peripheral interface
  - DMA Serial Peripheral Interface (DSPI)
- Optional Cryptography accelerator module
  - Execution units for:
    - DES/3DES block cipher
    - AES block cipher
    - RC4 stream cipher
    - MD5/SHA-1/SHA-256/HMAC hashing
    - Random Number Generator
- 32-Kbyte system SRAM
  - Arbitration mechanism shares bandwidth between internal bus masters
- System integration unit (SIU)
  - Interrupt controller
  - Watchdog timer
  - Two 32-bit slice timers alarm and interrupt generation
  - Up to four 32-bit general-purpose timers, compare, and PWM capability
  - GPIO ports multiplexed with peripheral pins
- Debug and test features
  - ColdFire background debug mode (BDM) port
  - JTAG/ IEEE 1149.1 test access port
- PLL and clock generator
  - 30 to 66.67 MHz input frequency range
- Operating Voltages
  - 1.5V internal logic
  - 2.5V DDR SDRAM bus I/O
  - 3.3V PCI, FlexBus, and all other I/O
- Estimated power consumption
  - Less than 1.5W (388 PBGA)

# Table of Contents

1	Maximum Ratings	4
2	Thermal Characteristics	4
2.1	Operating Temperatures	4
2.2	Thermal Resistance	4
3	DC Electrical Specifications	5
4	Hardware Design Considerations	6
4.1	PLL Power Filtering	6
4.2	Supply Voltage Sequencing and Separation Cautions	6
4.3	General USB Layout Guidelines	8
4.4	USB Power Filtering	9
5	Output Driver Capability and Loading	10
6	PLL Timing Specifications	11
7	Reset Timing Specifications	12
8	FlexBus	12
8.1	FlexBus AC Timing Characteristics	13
9	SDRAM Bus	15
9.1	SDR SDRAM AC Timing Characteristics	15
9.2	DDR SDRAM AC Timing Characteristics	18
10	PCI Bus	21
11	Fast Ethernet AC Timing Specifications	22
11.1	MII/7-WIRE Interface Timing Specs	22
11.2	MII Transmit Signal Timing	23
11.3	MII Async Inputs Signal Timing (CRS, COL)	24
11.4	MII Serial Management Channel Timing (MDIO, MDC)	24
12	General Timing Specifications	25
13	I <sup>2</sup> C Input/Output Timing Specifications	25
14	JTAG and Boundary Scan Timing	26
15	DSPI Electrical Specifications	29
16	Timer Module AC Timing Specifications	29
17	Case Drawing	30
18	Revision History	32

## List of Figures

Figure 1.	MCF547X Block Diagram	3
Figure 2.	System PLL V <sub>DD</sub> Power Filter	6
Figure 3.	Supply Voltage Sequencing and Separation Cautions	7
Figure 4.	Preferred VBUS Connections	8
Figure 5.	Alternate VBUS Connections	8
Figure 6.	USB V <sub>DD</sub> Power Filter	9
Figure 7.	USB <sub>RBIAS</sub> Connection	10
Figure 8.	Input Clock Timing Diagram	11
Figure 9.	CLKIN, Internal Bus, and Core Clock Ratios	11
Figure 10.	Reset Timing	12
Figure 11.	FlexBus Read Timing	14
Figure 12.	FlexBus Write Timing	15
Figure 13.	SDR Write Timing	17
Figure 14.	SDR Read Timing	17

Figure 15.	DDR Clock Timing Diagram	18
Figure 16.	DDR Write Timing	20
Figure 17.	DDR Read Timing	21
Figure 18.	PCI Timing	22
Figure 19.	MII Receive Signal Timing Diagram	23
Figure 20.	MII Transmit Signal Timing Diagram	23
Figure 21.	MII Async Inputs Timing Diagram	24
Figure 22.	MII Serial Management Channel Timing Diagram	24
Figure 23.	I <sup>2</sup> C Input/Output Timings	26
Figure 24.	Test Clock Input Timing	27
Figure 25.	Boundary Scan (JTAG) Timing	27
Figure 26.	Test Access Port Timing	27
Figure 27.	TRST Timing Debug AC Timing Specifications	27
Figure 28.	Real-Time Trace AC Timing	28
Figure 29.	BDM Serial Port AC Timing	28
Figure 30.	DSPI Timing	29
Figure 31.	388-pin BGA Case Outline	31

## List of Tables

Table 1.	Absolute Maximum Ratings	4
Table 2.	Operating Temperatures	4
Table 3.	Thermal Resistance	4
Table 4.	DC Electrical Specifications	5
Table 5.	USB Filter Circuit Values	9
Table 6.	I/O Driver Capability	10
Table 7.	Clock Timing Specifications	11
Table 8.	MCF547x Divide Ratio Encodings	11
Table 9.	Reset Timing Specifications	12
Table 10.	FlexBus AC Timing Specifications	13
Table 11.	SDR Timing Specifications	16
Table 12.	DDR Clock Crossover Specifications	18
Table 13.	DDR Timing Specifications	18
Table 14.	PCI Timing Specifications	21
Table 15.	MII Receive Signal Timing	23
Table 16.	MII Transmit Signal Timing	23
Table 17.	MII Transmit Signal Timing	24
Table 18.	MII Serial Management Channel Signal Timing	24
Table 19.	General AC Timing Specifications	25
Table 20.	I <sup>2</sup> C Input Timing Specifications between SCL and SDA	25
Table 21.	I <sup>2</sup> C Output Timing Specifications between SCL and SDA	25
Table 22.	JTAG and Boundary Scan Timing	26
Table 23.	Debug AC Timing Specifications	28
Table 24.	DSPI Modules AC Timing Specifications	29
Table 25.	Timer Module AC Timing Specifications	29

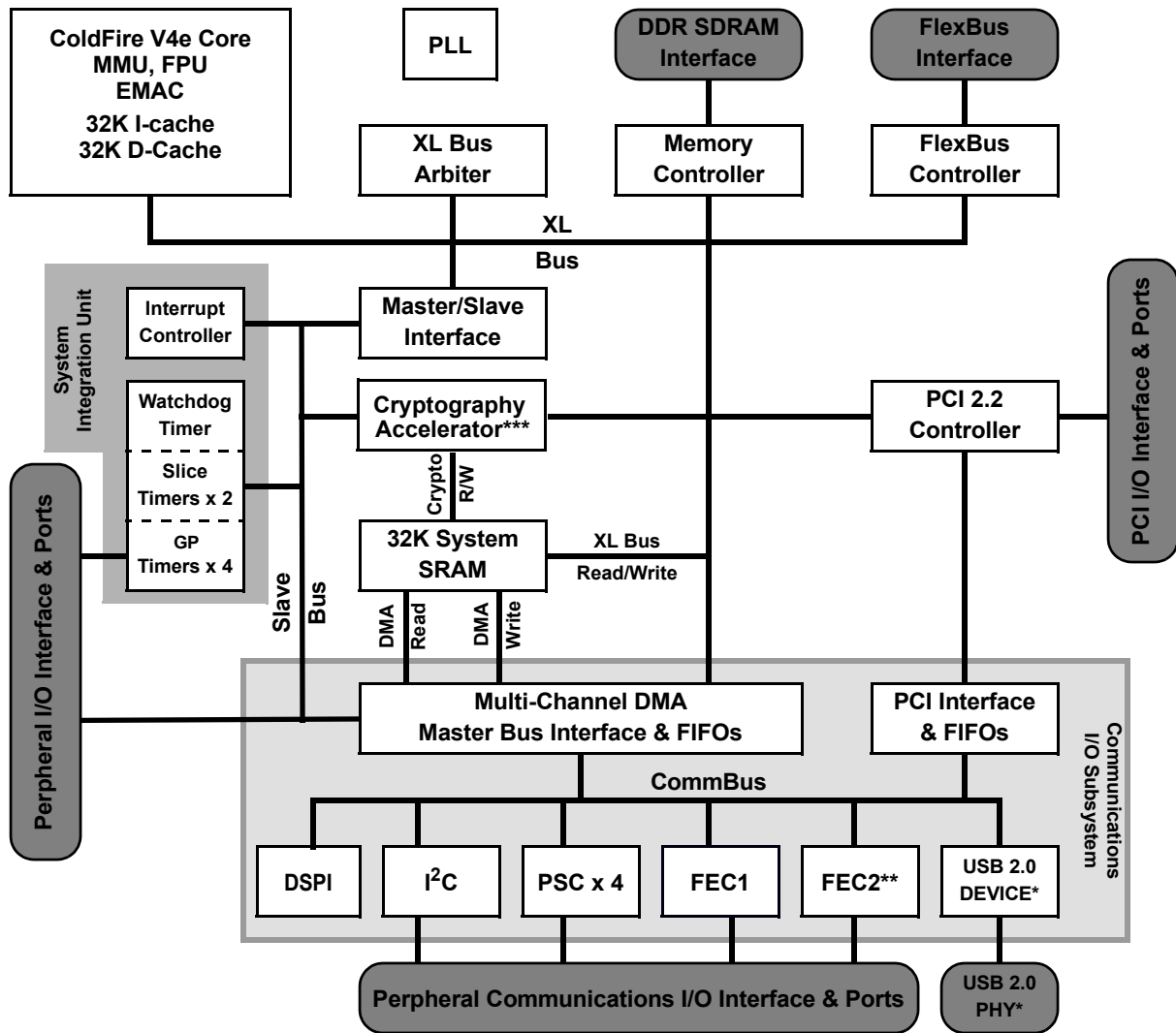


Figure 1. MCF547X Block Diagram

# 1 Maximum Ratings

Table 1 lists maximum and minimum ratings for supply and operating voltages and storage temperature. Operating outside of these ranges may cause erratic behavior or damage to the processor.

**Table 1. Absolute Maximum Ratings**

Rating	Symbol	Value	Units
External (I/O pads) supply voltage (3.3-V power pins)	$EV_{DD}$	-0.3 to +4.0	V
Internal logic supply voltage	$IV_{DD}$	-0.5 to +2.0	V
Memory (I/O pads) supply voltage (2.5-V power pins)	$SD V_{DD}$	-0.3 to +4.0 SDR Memory -0.3 to +2.8 DDR Memory	V
PLL supply voltage	$PLL V_{DD}$	-0.5 to +2.0	V
Internal logic supply voltage, input voltage level	$V_{in}$	-0.5 to +3.6	V
Storage temperature range	$T_{stg}$	-55 to +150	°C

## 2 Thermal Characteristics

### 2.1 Operating Temperatures

Table 2 lists junction and ambient operating temperatures.

**Table 2. Operating Temperatures**

Characteristic	Symbol	Value	Units
Maximum operating junction temperature	$T_j$	105	°C
Maximum operating ambient temperature	$T_{Amax}$	<70 <sup>1</sup>	°C
Minimum operating ambient temperature	$T_{Amin}$	-0	°C

<sup>1</sup> This published maximum operating ambient temperature should be used only as a system design guideline. All device operating parameters are guaranteed only when the junction temperature lies within the specified range.

### 2.2 Thermal Resistance

Table 3 lists thermal resistance values.

**Table 3. Thermal Resistance**

Characteristic		Symbol	Value	Unit
324 pin TEPBGA — Junction to ambient, natural convection	Four layer board (2s2p)	$\theta_{JMA}$	20–22 <sup>1,2</sup>	°CW
388 pin TEPBGA — Junction to ambient, natural convection	Four layer board (2s2p)	$\theta_{JMA}$	19 <sup>1,2</sup>	°CW

Table 3. Thermal Resistance (continued)

Characteristic		Symbol	Value	Unit
Junction to ambient (@200 ft/min)	Four layer board (2s2p)	$\theta_{JMA}$	16 <sup>1,2</sup>	°CW
Junction to board	—	$\theta_{JB}$	11 <sup>3</sup>	°CW
Junction to case	—	$\theta_{JC}$	7 <sup>4</sup>	°CW
Junction to top of package	Natural convection	$\Psi_{jt}$	2 <sup>1,5</sup>	°CW

<sup>1</sup>  $\theta_{JA}$  and  $\Psi_{jt}$  parameters are simulated in accordance with EIA/JESD Standard 51-2 for natural convection. Freescale recommends the use of  $\theta_{JA}$  and power dissipation specifications in the system design to prevent device junction temperatures from exceeding the rated specification. System designers should be aware that device junction temperatures can be significantly influenced by board layout and surrounding devices. Conformance to the device junction temperature specification can be verified by physical measurement in the customer's system using the  $\Psi_{jt}$  parameter, the device power dissipation, and the method described in EIA/JESD Standard 51-2.

<sup>2</sup> Per JEDEC JESD51-6 with the board horizontal.

<sup>3</sup> Thermal resistance between the die and the printed circuit board per JEDEC JESD51-8. Board temperature is measured on the top surface of the board near the package.

<sup>4</sup> Thermal resistance between the die and the case top surface as measured by the cold plate method (MIL SPEC-883 Method 1012.1).

<sup>5</sup> Thermal characterization parameter indicating the temperature difference between package top and the junction temperature per JEDEC JESD51-2. When Greek letters are not available, the thermal characterization parameter is written as Psi-JT.

### 3 DC Electrical Specifications

Table 4 lists DC electrical operating temperatures. This table is based on an operating voltage of  $EV_{DD} = 3.3 V_{DC} \pm 0.3 V_{DC}$  and  $IV_{DD}$  of  $1.5 \pm 0.07 V_{DC}$ .

Table 4. DC Electrical Specifications

Characteristic	Symbol	Min	Max	Units
External (I/O pads) operation voltage range	$EV_{DD}$	3.0	3.6	V
Memory (I/O pads) operation voltage range (DDR Memory)	$SD V_{DD}$	2.30	2.70	V
Internal logic operation voltage range <sup>1</sup>	$IV_{DD}$	1.43	1.58	V
PLL Analog operation voltage range <sup>1</sup>	$PLL V_{DD}$	1.43	1.58	V
USB oscillator operation voltage range	$USB\_OSV_{DD}$	3.0	3.6	V
USB digital logic operation voltage range	$USBV_{DD}$	3.0	3.6	V
USB PHY operation voltage range	$USB\_PHYV_{DD}$	3.0	3.6	V
USB oscillator analog operation voltage range	$USB\_OSCAV_{DD}$	1.43	1.58	V
USB PLL operation voltage range	$USB\_PLLV_{DD}$	1.43	1.58	V
Input high voltage SSTL 3.3V/2.5V <sup>2</sup>	$V_{IH}$	$V_{REF} + 0.3$	$SD V_{DD} + 0.3$	V
Input low voltage SSTL 3.3V/2.5V <sup>2</sup>	$V_{IL}$	$V_{SS} - 0.3$	$V_{REF} - 0.3$	V
Input high voltage 3.3V I/O pins	$V_{IH}$	$0.7 \times EV_{DD}$	$EV_{DD} + 0.3$	V
Input low voltage 3.3V I/O pins	$V_{IL}$	$V_{SS} - 0.3$	$0.35 \times EV_{DD}$	V

Table 4. DC Electrical Specifications (continued)

Characteristic	Symbol	Min	Max	Units
Output high voltage $I_{OH} = 8\text{ mA}, 16\text{ mA}, 24\text{ mA}$	$V_{OH}$	2.4	—	V
Output low voltage $I_{OL} = 8\text{ mA}, 16\text{ mA}, 24\text{ mA}^5$	$V_{OL}$	—	0.5	V
Capacitance <sup>3</sup> , $V_{in} = 0\text{ V}, f = 1\text{ MHz}$	$C_{IN}$	—	TBD	pF
Input leakage current	$I_{in}$	-1.0	1.0	$\mu\text{A}$

<sup>1</sup>  $I_{V_{DD}}$  and PLL  $V_{DD}$  should be at the same voltage. PLL  $V_{DD}$  should have a filtered input. Please see Figure 2 for an example circuit. There are three PLL  $V_{DD}$  inputs. A filter circuit should be used on each PLL  $V_{DD}$  input.

<sup>2</sup> This specification is guaranteed by design and is not 100% tested.

<sup>3</sup> Capacitance  $C_{IN}$  is periodically sampled rather than 100% tested.

## 4 Hardware Design Considerations

### 4.1 PLL Power Filtering

To further enhance noise isolation, an external filter is strongly recommended for PLL analog  $V_{DD}$  pins. The filter shown in Figure 2 should be connected between the board  $V_{DD}$  and the PLL  $V_{DD}$  pins. The resistor and capacitors should be placed as close to the dedicated PLL  $V_{DD}$  pin as possible.

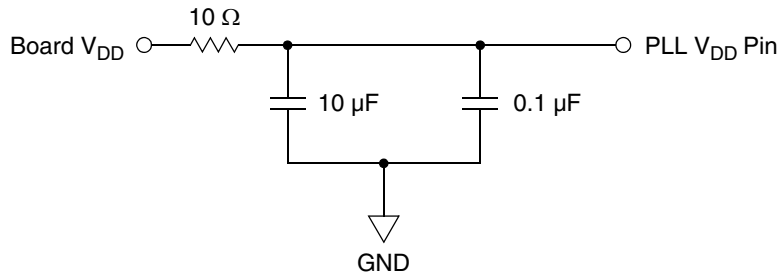
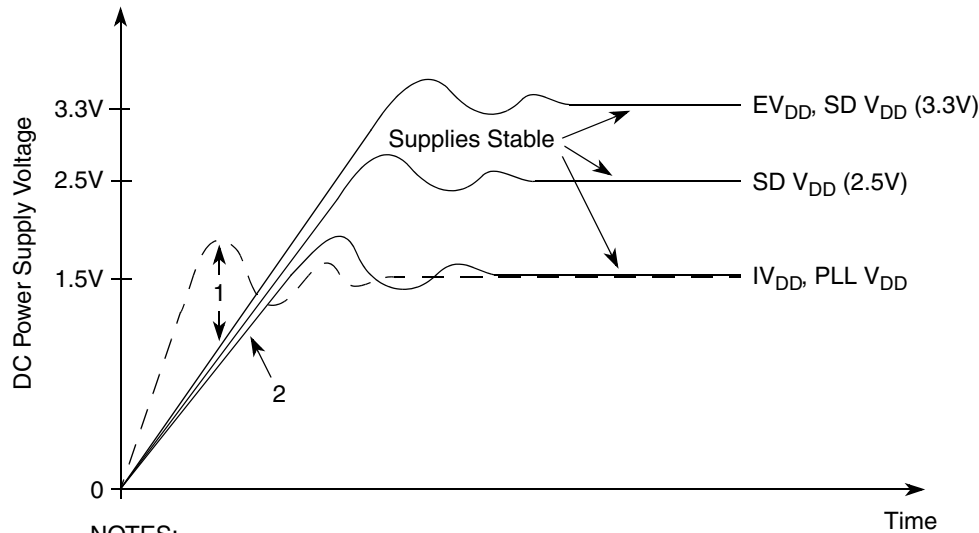


Figure 2. System PLL  $V_{DD}$  Power Filter

### 4.2 Supply Voltage Sequencing and Separation Cautions

Figure 3 shows situations in sequencing the I/O  $V_{DD}$  ( $EV_{DD}$ ), SDRAM  $V_{DD}$  ( $SD V_{DD}$ ), PLL  $V_{DD}$  ( $PLL V_{DD}$ ), and Core  $V_{DD}$  ( $IV_{DD}$ ).



## NOTES:

1. IV<sub>DD</sub> should not exceed EV<sub>DD</sub> or SD V<sub>DD</sub> by more than 0.4V at any time, including power-up.
2. Recommended that IV<sub>DD</sub>/PLL V<sub>DD</sub> should track EV<sub>DD</sub>/SD V<sub>DD</sub> up to 0.9V, then separate for completion of ramps.
3. Input voltage must not be greater than the supply voltage (EV<sub>DD</sub>, SD V<sub>DD</sub>, IV<sub>DD</sub>, or PLL V<sub>DD</sub>) by more than 0.5V at any time, including during power-up.
4. Use 1 microsecond or slower rise time for all supplies.

**Figure 3. Supply Voltage Sequencing and Separation Cautions**

The relationship between SD V<sub>DD</sub> and EV<sub>DD</sub> is non-critical during power-up and power-down sequences. SD V<sub>DD</sub> (2.5V or 3.3V) and EV<sub>DD</sub> are specified relative to IV<sub>DD</sub>.

## 4.2.1 Power Up Sequence

If EV<sub>DD</sub>/SD V<sub>DD</sub> are powered up with the IV<sub>DD</sub> at 0V, the sense circuits in the I/O pads cause all pad output drivers connected to the EV<sub>DD</sub>/SD V<sub>DD</sub> to be in a high impedance state. There is no limit to how long after EV<sub>DD</sub>/SD V<sub>DD</sub> powers up before IV<sub>DD</sub> must power up. IV<sub>DD</sub> should not lead the EV<sub>DD</sub>, SD V<sub>DD</sub>, or PLL V<sub>DD</sub> by more than 0.4V during power ramp up or there is high current in the internal ESD protection diodes. The rise times on the power supplies should be slower than 1 microsecond to avoid turning on the internal ESD protection clamp diodes.

The recommended power up sequence is as follows:

1. Use 1 microsecond or slower rise time for all supplies.
2. IV<sub>DD</sub>/PLL V<sub>DD</sub> and EV<sub>DD</sub>/SD V<sub>DD</sub> should track up to 0.9V, then separate for the completion of ramps with EV<sub>DD</sub>/SD V<sub>DD</sub> going to the higher external voltages. One way to accomplish this is to use a low drop-out voltage regulator.

## 4.2.2 Power Down Sequence

If IV<sub>DD</sub>/PLL V<sub>DD</sub> are powered down first, sense circuits in the I/O pads cause all output drivers to be in a high impedance state. There is no limit on how long after IV<sub>DD</sub> and PLL V<sub>DD</sub> power down before EV<sub>DD</sub> or SD V<sub>DD</sub> must power down. IV<sub>DD</sub> should not lag EV<sub>DD</sub>, SD V<sub>DD</sub>, or PLL V<sub>DD</sub> going low by more than 0.4V during power down or there is undesired high current in the ESD protection diodes. There are no requirements for the fall times of the power supplies.

The recommended power down sequence is as follows:

1. Drop IV<sub>DD</sub>/PLL V<sub>DD</sub> to 0V
2. Drop EV<sub>DD</sub>/SD V<sub>DD</sub> supplies

## 4.3 General USB Layout Guidelines

### 4.3.1 USB D+ and D- High-Speed Traces

1. High speed clock and the USB D+ and USB D- differential pair should be routed first.
2. Route USB D+ and USB D- signals on the top layer of the board.
3. The trace width and spacing of the USB D+ and USB D- signals should be such that the differential impedance is  $90\Omega$ .
4. Route traces over continuous planes (power and ground)—they should not pass over any power/ground plane slots or anti-etch. When placing connectors, make sure the ground plane clear-outs around each pin have ground continuity between all pins.
5. Maintain the parallelism (skew matched) between USB D+ and USB D-. These traces should be the same overall length.
6. Do not route USB D+ and USB D- traces under oscillators or parallel to clock traces and/or data buses. Minimize the lengths of high speed signals that run parallel to the USB D+ and USB D- pair. Maintain a minimum 50mil spacing to clock signals.
7. Keep USB D+ and USB D- traces as short as possible.
8. Route USB D+, USB D-, and USB VBUS signals with a minimum amount of vias and corners. Use  $45^\circ$  turns.
9. Stubs should be avoided as much as possible. If they cannot be avoided, stubs should be no greater than 200mils.

### 4.3.2 USB VBUS Traces

Connecting the USB VBUS pin directly to the 5V VBUS signal from the USB connector can cause long-term reliability problems in the ESD network of the processor. Therefore, use of an external voltage divider for VBUS is recommended. [Figure 4](#) and [Figure 5](#) depict possible connections for VBUS. Point A, marked in each figure, is where a 5V version of VBUS should connect. Point B, marked in each figure, is where a 3.3V version of VBUS should connect to the USB VBUS pin on the device.

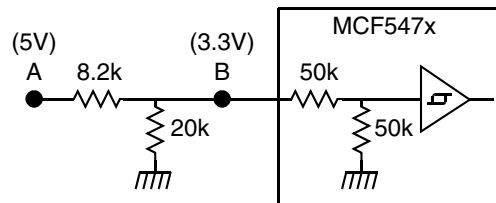


Figure 4. Preferred VBUS Connections

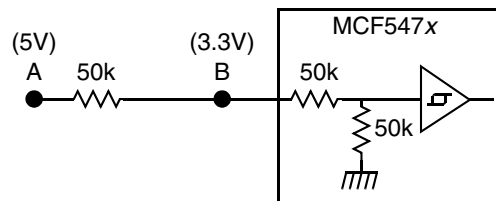


Figure 5. Alternate VBUS Connections

### 4.3.3 USB Receptacle Connections

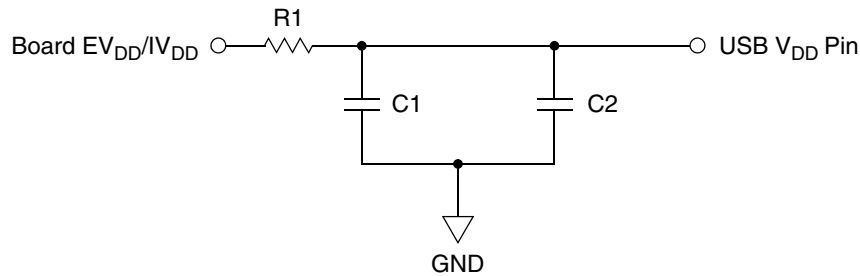
It is recommended to connect the shield and the ground pin of the B USB receptacle for upstream ports to the board ground plane. The ground pin of the A USB receptacles for downstream ports should also be connected to the board ground plane, but industry practice varies widely on the connection of the shield of the A USB receptacles to other system grounds. Take precautions for control of ground loops between hosts and self-powered USB devices through the cable shield.



## 4.4 USB Power Filtering

To minimize noise, an external filter is required for each of the USB power pins. The filter shown in [Figure 6](#) should be connected between the board  $EV_{DD}$  or  $IV_{DD}$  and each of the USB  $V_{DD}$  pins.

- The resistor and capacitors should be placed as close to the dedicated USB  $V_{DD}$  pin as possible.
- A separate filter circuit should be included for each USB  $V_{DD}$  pin, a total of five circuits.
- All traces should be as low impedance as possible, especially ground pins to the ground plane.
- The filter for USB\_PHYVDD to VSS should be connected to the power and ground planes, respectively, not fingers of the planes.
- In addition to keeping the filter components for the USB\_PLLVDD as close as practical to the body of the processor as previously mentioned, special care should be taken to avoid coupling switching power supply noise or digital switching noise onto the portion of that supply between the filter and the processor.
- The capacitors for C2 in the table below should be rated X5R or better due to temperature performance.



**Figure 6. USB  $V_{DD}$  Power Filter**

### NOTE

In addition to the above filter circuitry, a 0.01 F capacitor is also recommended in parallel with those shown.

[Table 5](#) lists the resistor values and supply voltages to be used in the circuit for each of the USB  $V_{DD}$  pins.

**Table 5. USB Filter Circuit Values**

USB $V_{DD}$ Pin	Nominal Voltage	R1 ( $\Omega$ )	C1 ( $\mu$ F)	C2 ( $\mu$ F)
USBVDD (Bias generator supply)	3.3V	10	10	0.1
USB_PHYVDD (Main transceiver supply)	3.3V	0	10	0.1
USB_PLLVDD (PLL supply)	1.5V	10	1	0.1
USB_OSCVDD (Oscillator supply)	3.3V	0	10	0.1
USB_OSCAVDD (Oscillator analog supply)	1.5V	0	10	0.1

### 4.4.1 Bias Resistor

The USBRBIAS resistor should be placed as close to the dedicated USB 2.0 pins as possible. The tolerance should be  $\pm 1\%$ .

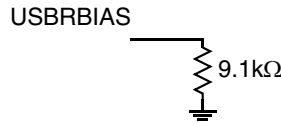


Figure 7. USBRBIAS Connection

## 5 Output Driver Capability and Loading

Table 6 lists values for drive capability and output loading.

Table 6. I/O Driver Capability<sup>1</sup>

Signal	Drive Capability	Output Load (C <sub>L</sub> )
SDRAMC (SDADDR[12:0], SDDATA[31:0], $\overline{RAS}$ , $\overline{CAS}$ , SDDM[3:0], $\overline{SDWE}$ , SDBA[1:0])	24 mA	15 pF
SDRAMC DQS and clocks (SDDQS[3:0], SDRDQS, SDCLK[1:0], $\overline{SDCLK}$ [1:0], SDCKE)	24 mA	15 pF
SDRAMC chip selects ( $\overline{SDCS}$ [3:0])	24 mA	15 pF
FlexBus (AD[31:0], $\overline{FBCS}$ [5:0], ALE, $R/\overline{W}$ , $\overline{BE/BWE}$ [3:0], $\overline{OE}$ )	16 mA	30 pF
FEC (EnMDIO, EnMDC, EnTXEN, EnTXD[3:0], EnTXER)	8 mA	15 pF
Timer (TOUT[3:0])	8 mA	50 pF
$\overline{DACK}$ [1:0]	8 mA	30 pF
PSC (PSCnTXD[3:0], $\overline{PSCnRTS}$ / $\overline{PSCnFSYNC}$ ,	8 mA	30 pF
DSPI (DSPISOUT, DSPICS0/SS, DSPICS[2:3], DSPICS5/PCSS)	24 mA	50 pF
PCI (PCIAD[31:0], PCIBG[4:1], PCIBG0/PCIREQOUT, PCIDEVSEL, PCICXBE[3:0], PCIFRM, PCIPERR, PCIRESET, PCISERR, PCISTOP, PCIPAR, PCITRDY, PCIIRDY)	16 mA	50 pF
I2C (SCL, SDA)	8 mA	50 pF
BDM (PSTCLK, PSTDDATA[7:0], DSO/TDO,	8 mA	25 pF
RSTO	8 mA	50 pF

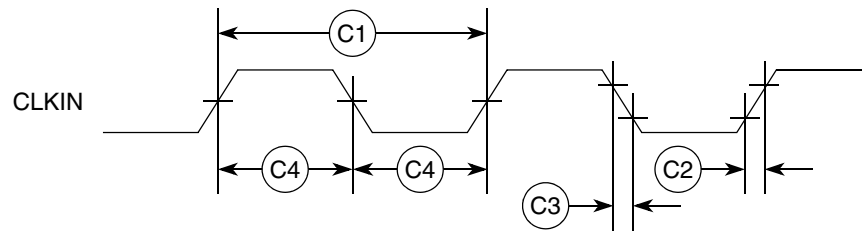
<sup>1</sup> The device's pads have balanced sink and source current. The drive capability is the same as the sink capability.

## 6 PLL Timing Specifications

The specifications in [Table 7](#) are for the CLKIN pin.

**Table 7. Clock Timing Specifications**

Num	Characteristic	Min	Max	Units
C1	Cycle time	15.0	40	ns
C2	Rise time (20% of V <sub>dd</sub> to 80% of v <sub>dd</sub> )	—	2	ns
C3	Fall time (80% of V <sub>dd</sub> to 20% of V <sub>dd</sub> )	—	2	ns
C4	Duty cycle (at 50% of V <sub>dd</sub> )	40	60	%



**Figure 8. Input Clock Timing Diagram**

[Table 8](#) shows the supported PLL encodings.

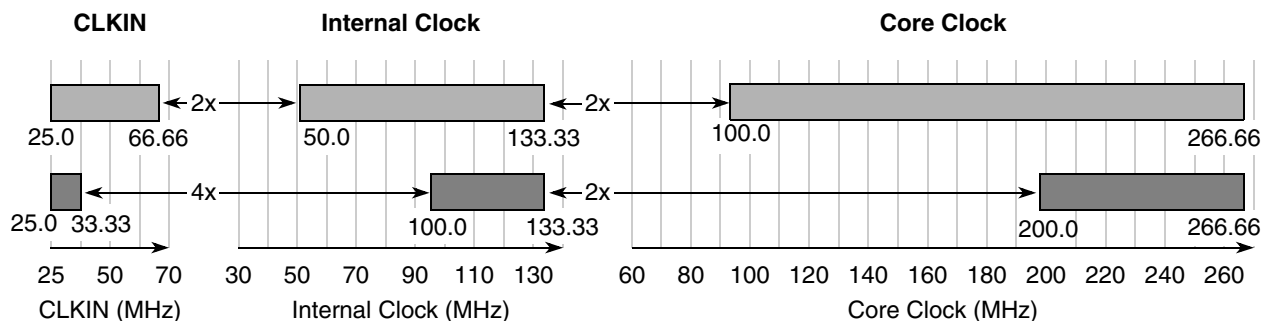
**Table 8. MCF547x Divide Ratio Encodings**

AD[12:8] <sup>1</sup>	Clock Ratio	CLKIN—PCI and FlexBus Frequency Range (MHz)	Internal XLB, SDRAM Bus, and PSTCLK Frequency Range (MHz)	Core Frequency Range (MHz)
00011	1:2	41.67–66.66	83.33–133.33	166.66–266.66
00101	1:2	25.0–44.42	50.0–88.83 <sup>2</sup>	100.0–177.66
01111	1:4	25.0–33.3	100–133.33	200–266.66

<sup>1</sup> All other values of AD[12:8] are reserved.

<sup>2</sup> DDR memories typically have a minimum speed of 83 MHz. Some vendors specify down to 75 MHz. Check with the memory component specifications to verify.

[Figure 9](#) correlates CLKIN, internal bus, and core clock frequencies for the 1x–4x multipliers.



**Figure 9. CLKIN, Internal Bus, and Core Clock Ratios**

# 7 Reset Timing Specifications

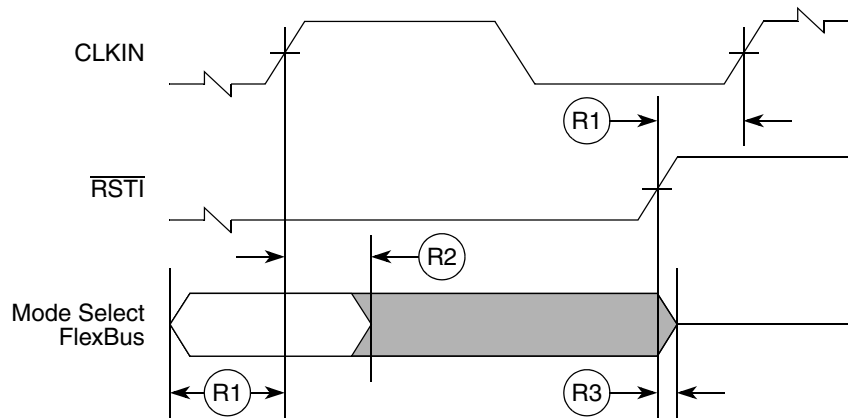
Table 9 lists specifications for the reset timing parameters shown in Figure 10

**Table 9. Reset Timing Specifications**

Num	Characteristic	66 MHz CLKIN		Units
		Min	Max	
R1 <sup>1</sup>	Valid to CLKIN (setup)	8	—	ns
R2	CLKIN to invalid (hold)	1.0	—	ns
R3	$\overline{\text{RSTI}}$ to invalid (hold)	1.0	—	ns
	$\overline{\text{RSTI}}$ pulse duration	5	—	CLKIN cycles

<sup>1</sup>  $\overline{\text{RSTI}}$  and FlexBus data lines are synchronized internally. Setup and hold times must be met only if recognition on a particular clock is required.

Figure 10 shows reset timing for the values in Table 9.



NOTE:  
Mode selects are registered on the rising clock edge before the cycle in which  $\overline{\text{RSTI}}$  is recognized as being negated.

**Figure 10. Reset Timing**

# 8 FlexBus

A multi-function external bus interface called FlexBus is provided on the MCF5472 with basic functionality to interface to slave-only devices up to a maximum bus frequency of 66 MHz. It can be directly connected to asynchronous or synchronous devices such as external boot ROMs, flash memories, gate-array logic, or other simple target (slave) devices with little or no additional circuitry. For asynchronous devices, a simple chip-select based interface can be used. The FlexBus interface has six general purpose chip-selects ( $\overline{\text{FBCS}}[5:0]$ ). Chip-select  $\overline{\text{FBCS0}}$  can be dedicated to boot ROM access and can be programmed to be byte (8 bits), word (16 bits), or longword (32 bits) wide. Control signal timing is compatible with common ROM / flash memories.

## 8.1 FlexBus AC Timing Characteristics

The following timing numbers indicate when data is latched or driven onto the external bus, relative to the system clock.

**Table 10. FlexBus AC Timing Specifications**

Num	Characteristic	Min	Max	Unit	Notes
	Frequency of Operation	25	66	Mhz	<sup>1</sup>
FB1	Clock Period (CLKIN)	15.15	40	ns	<sup>2</sup>
FB2	Address, Data, and Control Output Valid (AD[31:0], $\overline{\text{FBCS}}[5:0]$ , R/W, ALE, TSIZ[1:0], $\overline{\text{BE}}/\overline{\text{BWE}}[3:0]$ , $\overline{\text{OE}}$ , and $\overline{\text{TBST}}$ )	—	7.0	ns	<sup>3</sup>
FB3	Address, Data, and Control Output Hold ((AD[31:0], $\overline{\text{FBCS}}[5:0]$ , R/W, ALE, TSIZ[1:0], $\overline{\text{BE}}/\overline{\text{BWE}}[3:0]$ , $\overline{\text{OE}}$ , and $\overline{\text{TBST}}$ )	1	—	ns	<sup>3, 4</sup>
FB4	Data Input Setup	3.5	—	ns	
FB5	Data Input Hold	0	—	ns	
FB6	Transfer Acknowledge ( $\overline{\text{TA}}$ ) Input Setup	4	—	ns	
FB7	Transfer Acknowledge ( $\overline{\text{TA}}$ ) Input Hold	0	—	ns	
FB8	Address Output Valid (PCIAD[31:0])	—	7.0	ns	<sup>5</sup>
FB9	Address Output Hold (PCIAD[31:0])	0	—	ns	<sup>5</sup>

<sup>1</sup> The frequency of operation is the same as the PCI frequency of operation. The MCF547X supports a single external reference clock (CLKIN). This signal defines the frequency of operation for FlexBus and PCI.

<sup>2</sup> Max cycle rate is determined by CLKIN and how the user has the system PLL configured.

<sup>3</sup> Timing for chip selects only applies to the  $\overline{\text{FBCS}}[5:0]$  signals. Please see [Section 9.2, “DDR SDRAM AC Timing Characteristics”](#) for  $\overline{\text{SDCS}}[3:0]$  timing.

<sup>4</sup> The FlexBus supports programming an extension of the address hold. Please consult the MCF547X specification manual for more information.

<sup>5</sup> These specs are used when the PCIAD[31:0] signals are configured as 32-bit, non-muxed FlexBus address signals.

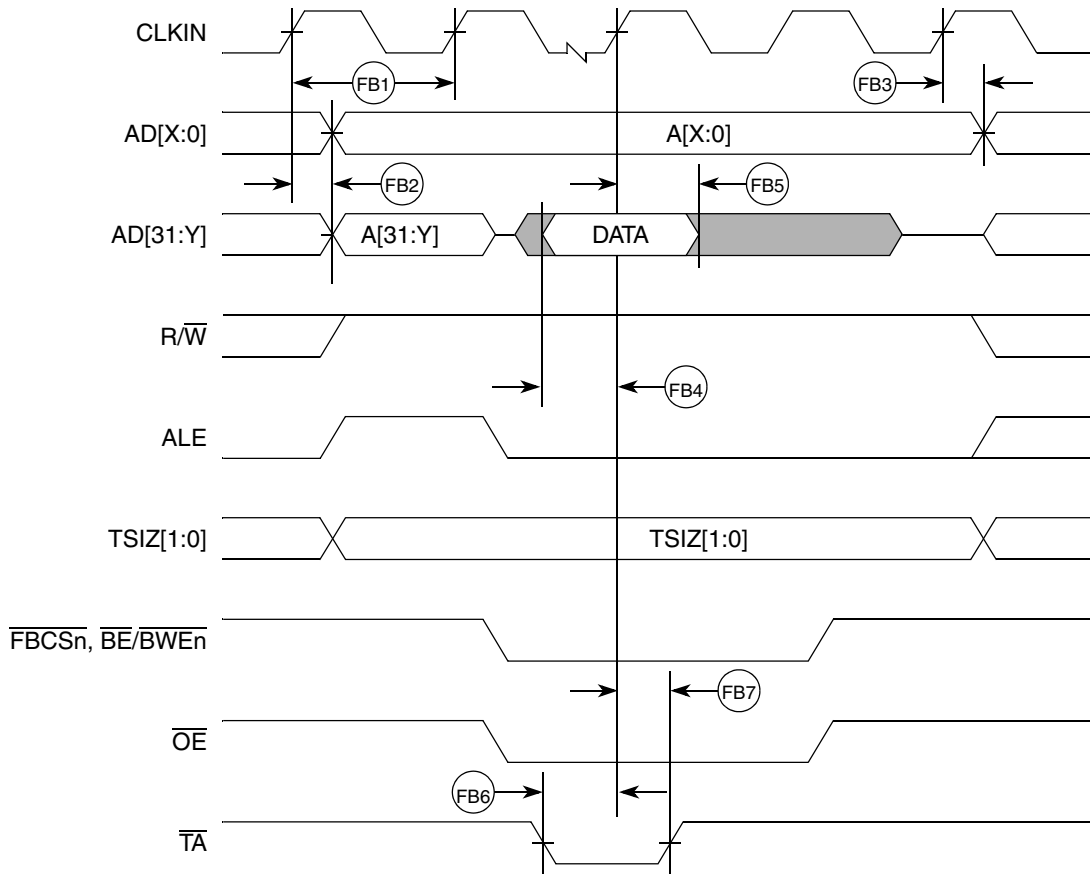


Figure 11. FlexBus Read Timing

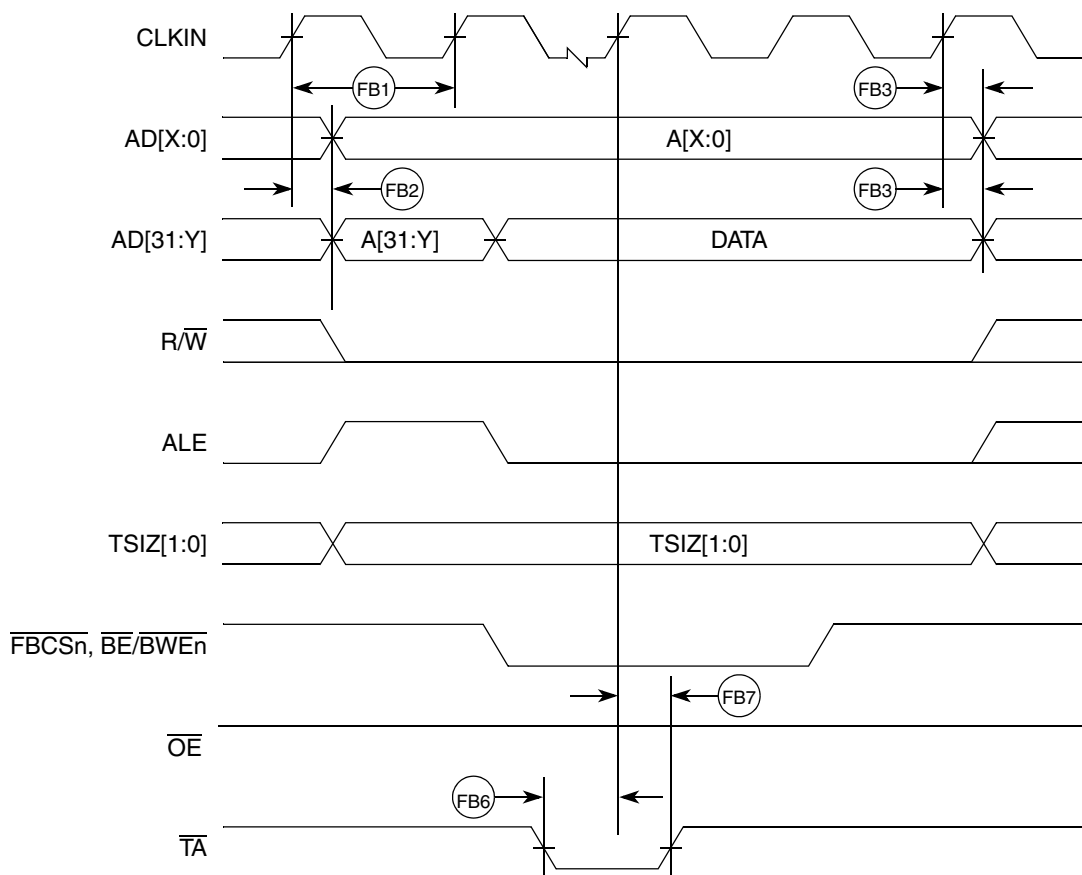


Figure 12. FlexBus Write Timing

## 9 SDRAM Bus

The SDRAM controller supports accesses to main SDRAM memory from any internal master. It supports standard SDRAM or double data rate (DDR) SDRAM, but it does not support both at the same time. The SDRAM controller uses SSTL2 and SSTL3 I/O drivers. Both SSTL drive modes are programmable for Class I or Class II drive strength.

### 9.1 SDR SDRAM AC Timing Characteristics

The following timing numbers indicate when data is latched or driven onto the external bus, relative to the memory bus clock, when operating in SDR mode on write cycles and relative to SDR\_DQS on read cycles. The MCF547x SDRAM controller is a DDR controller that has an SDR mode. Because it is designed to support DDR, a DQS pulse must be supplied to the MCF547x for each data beat of an SDR read. The MCF547x accomplishes this by asserting a signal called SDR\_DQS during read cycles. Care must be taken during board design to adhere to the following guidelines and specs with regard to the SDR\_DQS signal and its usage.

Table 11. SDR Timing Specifications

Symbol	Characteristic	Min	Max	Unit	Notes
	Frequency of Operation	0	133	Mhz	1
SD1	Clock Period ( $t_{CK}$ )	7.52	12	ns	2
SD2	Clock Skew ( $t_{SK}$ )		TBD		
SD3	Pulse Width High ( $t_{CKH}$ )	0.45	0.55	SDCLK	3
SD4	Pulse Width Low ( $t_{CKL}$ )	0.45	0.55	SDCLK	4
SD5	Address, CKE, CAS, RAS, WE, BA, CS - Output Valid ( $t_{CMV}$ )		$0.5 \times \text{SDCLK} + 1.0\text{ns}$	ns	
SD6	Address, CKE, CAS, RAS, WE, BA, CS - Output Hold ( $t_{CMH}$ )	2.0		ns	
SD7	SDRDQS Output Valid ( $t_{DQSOV}$ )		Self timed	ns	5
SD8	SDDQS[3:0] input setup relative to SDCLK ( $t_{DQSI S}$ )	$0.25 \times \text{SDCLK}$	$0.40 \times \text{SDCLK}$	ns	6
SD9	SDDQS[3:0] input hold relative to SDCLK ( $t_{DQSIH}$ )	Does not apply. 0.5 SDCLK fixed width.			7
SD10	Data Input Setup relative to SDCLK (reference only) ( $t_{DIS}$ )	$0.25 \times \text{SDCLK}$		ns	8
SD11	Data Input Hold relative to SDCLK (reference only) ( $t_{DIH}$ )	1.0		ns	
SD12	Data and Data Mask Output Valid ( $t_{DV}$ )		$0.75 \times \text{SDCLK} + 0.500\text{ns}$	ns	
SD13	Data and Data Mask Output Hold ( $t_{DH}$ )	1.5		ns	

<sup>1</sup> The frequency of operation is 2x or 4x the CLKIN frequency of operation. The MCF547X supports a single external reference clock (CLKIN). This signal defines the frequency of operation for FlexBus and PCI, but SDRAM clock operates at the same frequency as the internal bus clock. Please see the PLL chapter of the *MCF547X Reference Manual* for more information on setting the SDRAM clock rate.

<sup>2</sup> SDCLK is one SDRAM clock in (ns).

<sup>3</sup> Pulse width high plus pulse width low cannot exceed min and max clock period.

<sup>4</sup> Pulse width high plus pulse width low cannot exceed min and max clock period.

<sup>5</sup> SDR\_DQS is designed to pulse 0.25 clock before the rising edge of the memory clock. This is a guideline only. Subtle variation from this guideline is expected. SDR\_DQS only pulses during a read cycle and one pulse occurs for each data beat.

<sup>6</sup> SDR\_DQS is designed to pulse 0.25 clock before the rising edge of the memory clock. This spec is a guideline only. Subtle variation from this guideline is expected. SDR\_DQS only pulses during a read cycle and one pulse occurs for each data beat.

<sup>7</sup> The SDR\_DQS pulse is designed to be 0.5 clock in width. The timing of the rising edge is most important. The falling edge does not affect the memory controller.

<sup>8</sup> Because a read cycle in SDR mode uses the DQS circuit within the MCF547X, it is most critical that the data valid window be centered 1/4 clk after the rising edge of DQS. Ensuring that this happens results in successful SDR reads. The input setup spec is provided as guidance.



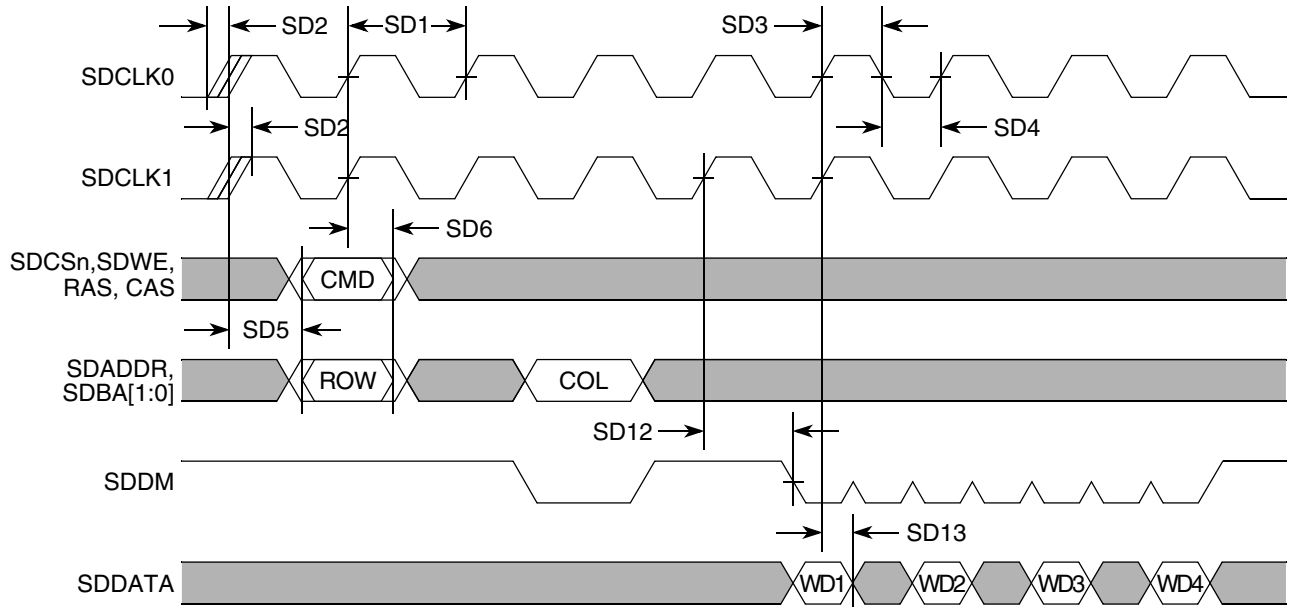
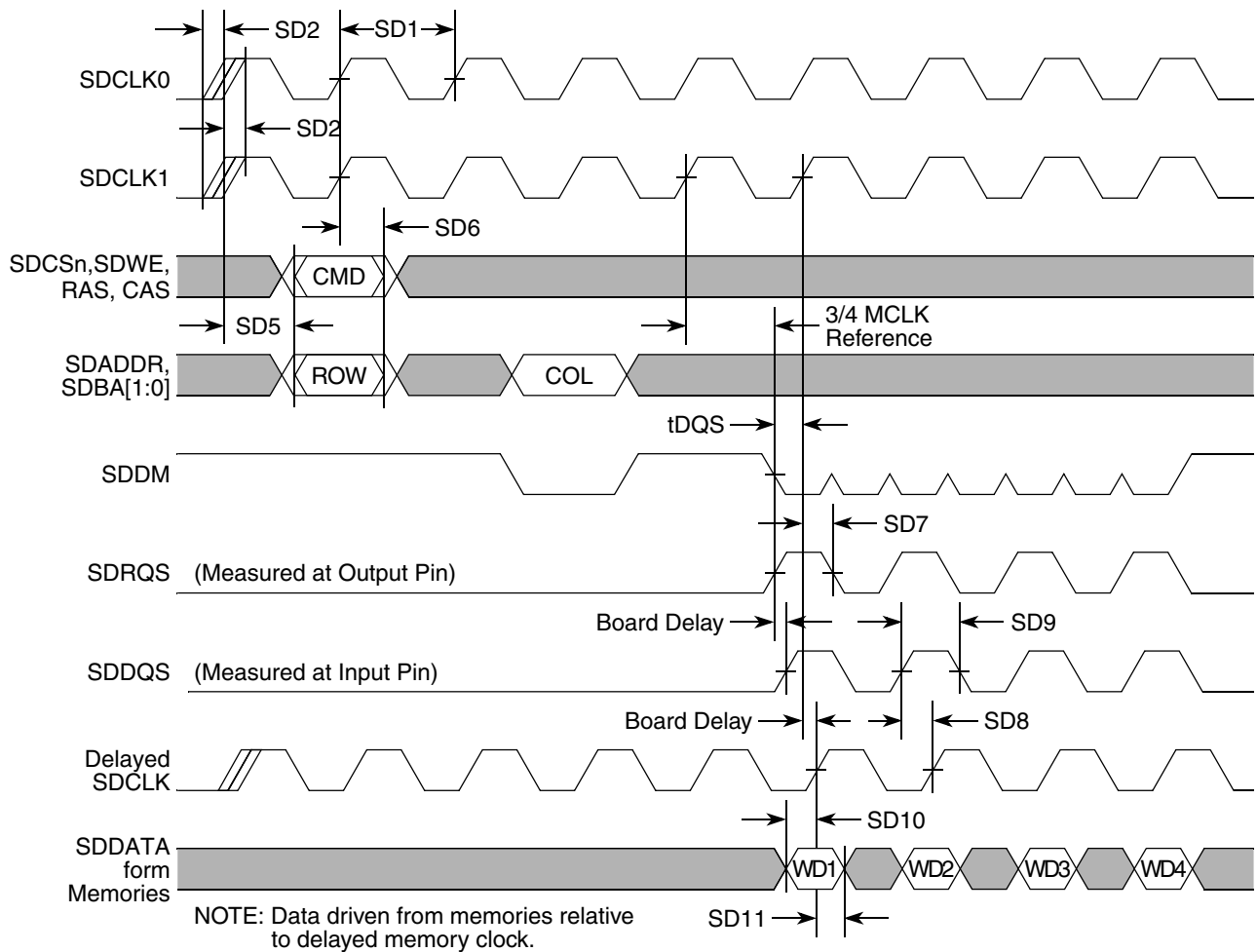


Figure 13. SDR Write Timing



NOTE: Data driven from memories relative to delayed memory clock.

Figure 14. SDR Read Timing

## 9.2 DDR SDRAM AC Timing Characteristics

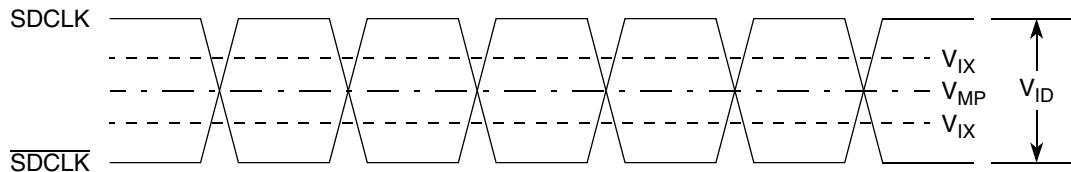
When using the DDR SDRAM controller, the following timing numbers must be followed to properly latch or drive data onto the memory bus. All timing numbers are relative to the four DQS byte lanes.

Table 12 shows the DDR clock crossover specifications.

**Table 12. DDR Clock Crossover Specifications**

Symbol	Characteristic	Min	Max	Unit
$V_{MP}$	Clock output mid-point voltage	1.05	1.45	V
$V_{OUT}$	Clock output voltage level	-0.3	SD_VDD + 0.3	V
$V_{ID}$	Clock output differential voltage (peak to peak swing)	0.7	SD_VDD + 0.6	V
$V_{IX}$	Clock crossing point voltage <sup>1</sup>	1.05	1.45	V

<sup>1</sup> The clock crossover voltage is only guaranteed when using the highest drive strength option for the SDCLK[1:0] and SDCLK[1:0] signals.



**Figure 15. DDR Clock Timing Diagram**

**Table 13. DDR Timing Specifications**

Symbol	Characteristic	Min	Max	Unit	Notes
	Frequency of Operation	50 <sup>1</sup>	133	MHz	2
DD1	Clock Period ( $t_{CK}$ )	7.52	12	ns	3
DD2	Pulse Width High ( $t_{CKH}$ )	0.45	0.55	SDCLK	4
DD3	Pulse Width Low ( $t_{CKL}$ )	0.45	0.55	SDCLK	5
DD4	Address, SDCKE, $\overline{CAS}$ , $\overline{RAS}$ , $\overline{WE}$ , SDBA, $\overline{SDCS}$ —Output Valid ( $t_{CMV}$ )	—	$0.5 \times \text{SDCLK} + 1.0 \text{ ns}$	ns	6
DD5	Address, SDCKE, $\overline{CAS}$ , $\overline{RAS}$ , $\overline{WE}$ , SDBA, $\overline{SDCS}$ —Output Hold ( $t_{CMH}$ )	2.0	—	ns	
DD6	Write Command to first DQS Latching Transition ( $t_{DQSS}$ )	—	1.25	SDCLK	
DD7	Data and Data Mask Output Setup (DQ→DQS) Relative to DQS (DDR Write Mode) ( $t_{QS}$ )	1.0	—	ns	7 8
DD8	Data and Data Mask Output Hold (DQS→DQ) Relative to DQS (DDR Write Mode) ( $t_{QH}$ )	1.0	—	ns	9
DD9	Input Data Skew Relative to DQS (Input Setup) ( $t_{IS}$ )		1	ns	10
DD10	Input Data Hold Relative to DQS ( $t_{IH}$ )	$0.25 \times \text{SDCLK} + 0.5 \text{ ns}$	—	ns	11
DD11	DQS falling edge to SDCLK rising (output setup time) ( $t_{DSS}$ )	0.5	—	ns	
DD12	DQS falling edge from SDCLK rising (output hold time) ( $t_{DSH}$ )	0.5	—	ns	

Table 13. DDR Timing Specifications (continued)

Symbol	Characteristic	Min	Max	Unit	Notes
DD13	DQS input read preamble width ( $t_{RPRE}$ )	0.9	1.1	SDCLK	
DD14	DQS input read postamble width ( $t_{RPST}$ )	0.4	0.6	SDCLK	
DD15	DQS output write preamble width ( $t_{WPRE}$ )	0.25	—	SDCLK	
DD16	DQS output write postamble width ( $t_{WPST}$ )	0.4	0.6	SDCLK	

<sup>1</sup> DDR memories typically have a minimum speed specification of 83 MHz. Check memory component specifications to verify.

<sup>2</sup> The frequency of operation is 2x or 4x the CLKIN frequency of operation. The MCF547X supports a single external reference clock (CLKIN). This signal defines the frequency of operation for FlexBus and PCI, but SDRAM clock operates at the same frequency as the internal bus clock. Please see the reset configuration signals description in the “Signal Descriptions” chapter within the *MCF547x Reference Manual*.

<sup>3</sup> SDCLK is one memory clock in (ns).

<sup>4</sup> Pulse width high plus pulse width low cannot exceed max clock period.

<sup>5</sup> Pulse width high plus pulse width low cannot exceed max clock period.

<sup>6</sup> Command output valid should be 1/2 the memory bus clock (SDCLK) plus some minor adjustments for process, temperature, and voltage variations.

<sup>7</sup> This specification relates to the required input setup time of today's DDR memories. SDDATA[31:24] is relative to SDDQS3, SDDATA[23:16] is relative to SDDQS2, SDDATA[15:8] is relative to SDDQS1, and SDDATA[7:0] is relative SDDQS0.

<sup>8</sup> The first data beat is valid before the first rising edge of SDDQS and after the SDDQS write preamble. The remaining data beats is valid for each subsequent SDDQS edge.

<sup>9</sup> This specification relates to the required hold time of today's DDR memories. SDDATA[31:24] is relative to SDDQS3, SDDATA[23:16] is relative to SDDQS2, SDDATA[15:8] is relative to SDDQS1, and SDDATA[7:0] is relative SDDQS0.

<sup>10</sup> Data input skew is derived from each SDDQS clock edge. It begins with a SDDQS transition and ends when the last data line becomes valid. This input skew must include DDR memory output skew and system level board skew (due to routing or other factors).

<sup>11</sup> Data input hold is derived from each SDDQS clock edge. It begins with a SDDQS transition and ends when the first data line becomes invalid.

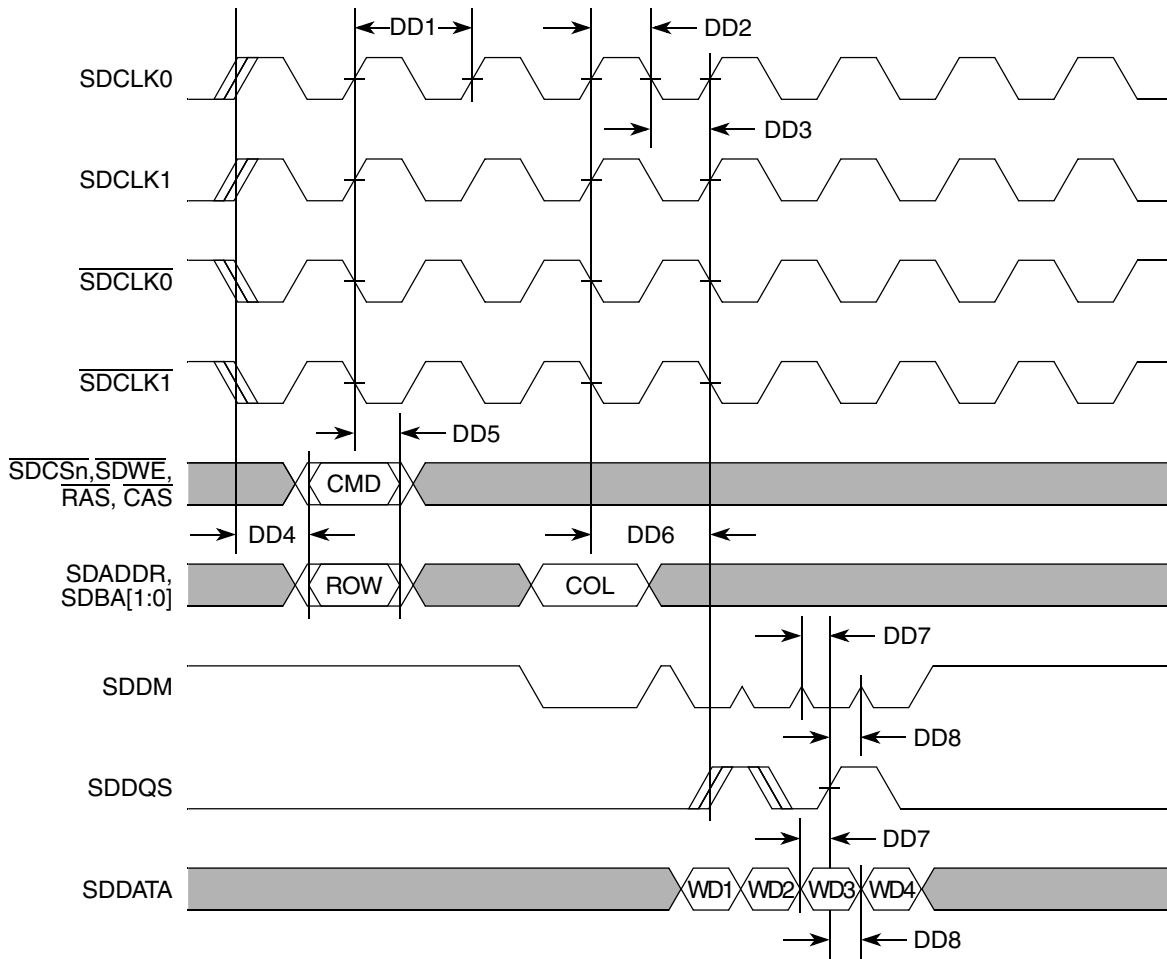


Figure 16. DDR Write Timing

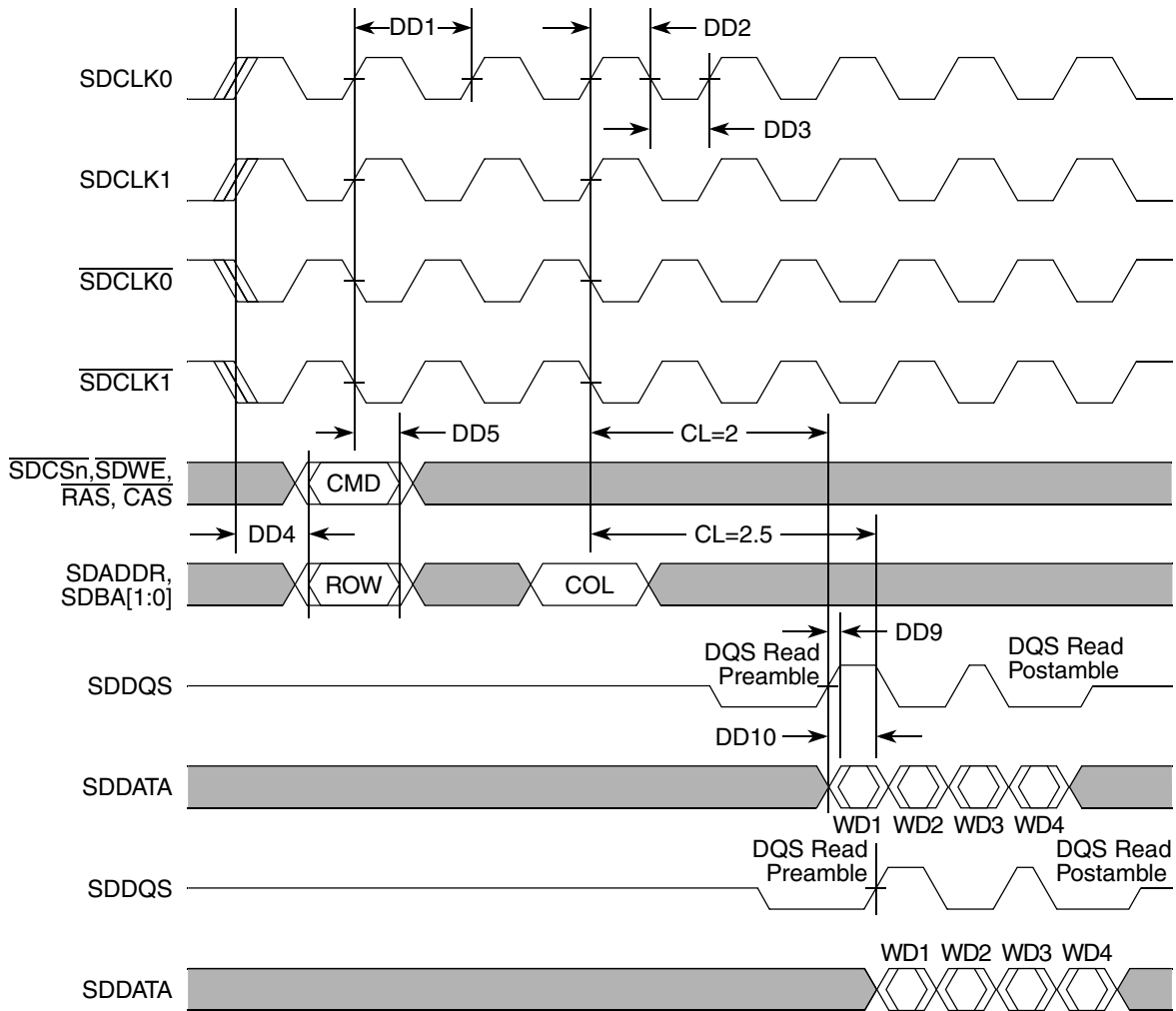


Figure 17. DDR Read Timing

## 10 PCI Bus

The PCI bus on the MCF547x is PCI 2.2 compliant. The following timing numbers are mostly from the PCI 2.2 spec. Please refer to the PCI 2.2 spec for a more detailed timing analysis.

Table 14. PCI Timing Specifications

Num	Characteristic	Min	Max	Unit	Notes
	Frequency of Operation	25	66	MHz	1
P1	Clock Period ( $t_{CK}$ )	15.15	40	ns	2
P2	Address, Data, and Command ( $33 < \text{PCI} \leq 66 \text{ Mhz}$ )—Input Setup ( $t_{IS}$ )	3.0	—	ns	
P3	Address, Data, and Command ( $0 < \text{PCI} \leq 33 \text{ Mhz}$ )—Input Setup ( $t_{IS}$ )	7.0	—	ns	
P4	Address, Data, and Command ( $33\text{--}66 \text{ Mhz}$ )—Output Valid ( $t_{DV}$ )	—	6.0	ns	3
P5	Address, Data, and Command ( $0\text{--}33 \text{ Mhz}$ ) - Output Valid ( $t_{DV}$ )	—	11.0	ns	
P6	PCI signals ( $0\text{--}66 \text{ Mhz}$ ) - Output Hold ( $t_{DH}$ )	0	—	ns	4

Table 14. PCI Timing Specifications (continued)

Num	Characteristic	Min	Max	Unit	Notes
P7	PCI signals (0–66 Mhz) - Input Hold ( $t_{IH}$ )	0	—	ns	5
P8	PCI REQ/GNT ( $33 < \text{PCI} \leq 66\text{Mhz}$ ) - Output valid ( $t_{DV}$ )	—	6	ns	6
P9	PCI REQ/GNT ( $0 < \text{PCI} \leq 33\text{Mhz}$ ) - Output valid ( $t_{DV}$ )	—	12	ns	
P10	PCI REQ/GNT ( $33 < \text{PCI} \leq 66\text{Mhz}$ ) - Input Setup ( $t_{IS}$ )	—	5	ns	
P11	PCI REQ ( $0 < \text{PCI} \leq 33\text{Mhz}$ ) - Input Setup ( $t_{IS}$ )	12	—	ns	
P12	PCI GNT ( $0 < \text{PCI} \leq 33\text{Mhz}$ ) - Input Setup ( $t_{IS}$ )	10	—	ns	

<sup>1</sup> Please see the reset configuration signals description in the “Signal Descriptions” chapter within the *MCF547x Reference Manual*. Also specific guidelines may need to be followed when operating the system PLL below certain frequencies.

<sup>2</sup> Max cycle rate is determined by CLKIN and how the user has the system PLL configured.

<sup>3</sup> All signals defined as PCI based signals. Does not include PTP (point-to-point) signals.

<sup>4</sup> PCI 2.2 spec does not require an output hold time. Although the MCF547X may provide a slight amount of hold, it is not required or guaranteed.

<sup>5</sup> PCI 2.2 spec requires zero input hold.

<sup>6</sup> These signals are defined at PTP (Point-to-point) in the PCI 2.2 spec.

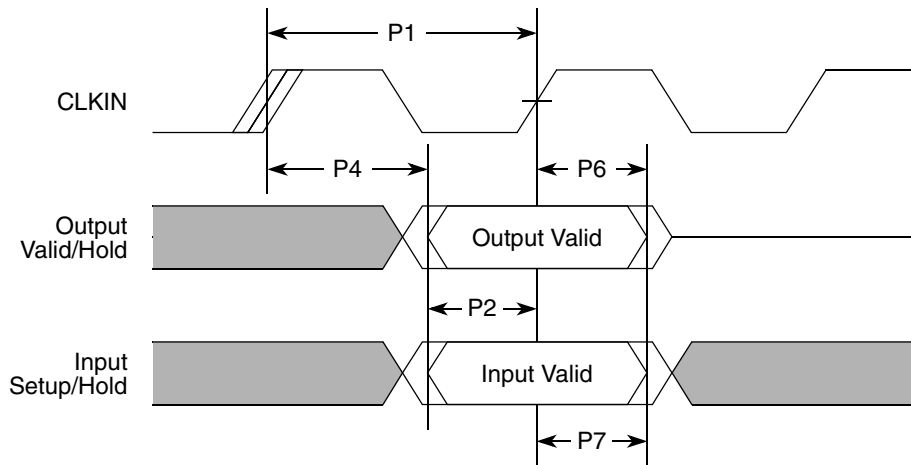


Figure 18. PCI Timing

## 11 Fast Ethernet AC Timing Specifications

### 11.1 MII/7-WIRE Interface Timing Specs

The following timing specs are defined at the chip I/O pin and must be translated appropriately to arrive at timing specs/constraints for the EMAC\_10\_100 I/O signals.

The following timing specs meet the requirements for MII and 7-Wire style interfaces for a range of transceiver devices. If this interface is to be used with a specific transceiver device the timing specs may be altered to match that specific transceiver.

Table 15. MII Receive Signal Timing

Num	Characteristic	Min	Max	Unit
M1	RXD[3:0], RXDV, RXER to RXCLK setup	5	—	ns
M2	RXCLK to RXD[3:0], RXDV, RXER hold	5	—	ns
M3	RXCLK pulse width high	35%	65%	RXCLK period
M4	RXCLK pulse width low	35%	65%	RXCLK period

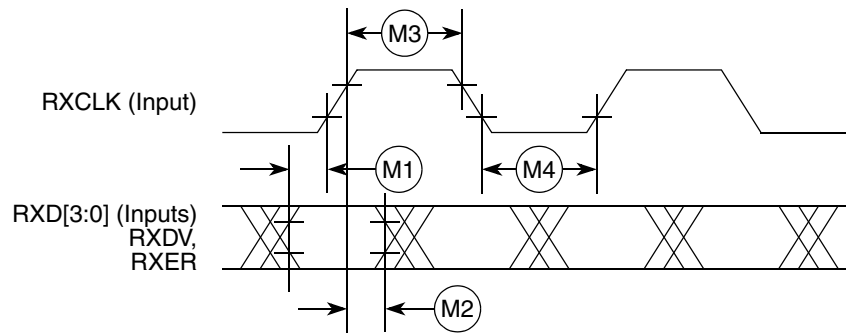


Figure 19. MII Receive Signal Timing Diagram

## 11.2 MII Transmit Signal Timing

Table 16. MII Transmit Signal Timing

Num	Characteristic	Min	Max	Unit
M5	TXCLK to TXD[3:0], TXEN, TXER invalid	0	—	ns
M6	TXCLK to TXD[3:0], TXEN, TXER valid	—	25	ns
M7	TXCLK pulse width high	35%	65%	TXCLK period
M8	TXCLK pulse width low	35%	65%	TXCLK period

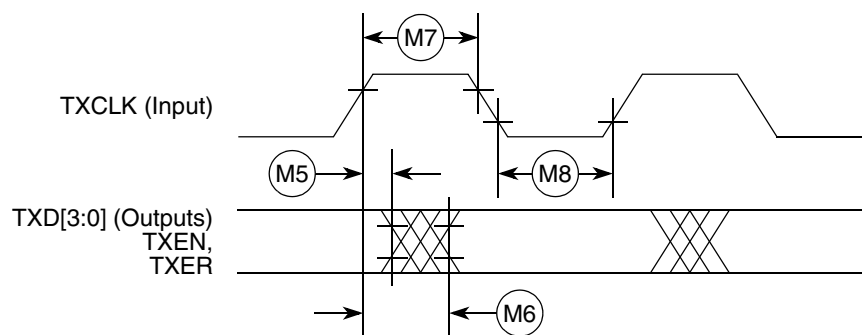


Figure 20. MII Transmit Signal Timing Diagram

### 11.3 MII Async Inputs Signal Timing (CRS, COL)

Table 17. MII Transmit Signal Timing

Num	Characteristic	Min	Max	Unit
M9	CRS, COL minimum pulse width	1.5	—	TX_CLK period

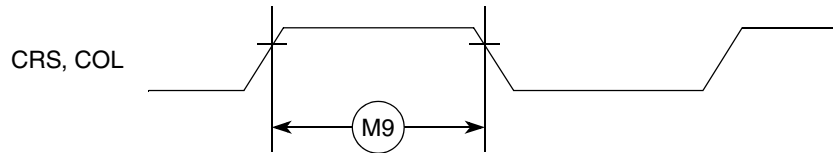


Figure 21. MII Async Inputs Timing Diagram

### 11.4 MII Serial Management Channel Timing (MDIO, MDC)

Table 18. MII Serial Management Channel Signal Timing

Num	Characteristic	Min	Max	Unit
M10	MDC falling edge to MDIO output invalid (min prop delay)	0	—	ns
M11	MDC falling edge to MDIO output valid (max prop delay)	—	25	ns
M12	MDIO (input) to MDC rising edge setup	10	—	ns
M13	MDIO (input) to MDC rising edge hold	0	—	ns
M14	MDC pulse width high	40%	60%	MDC period
M15	MDC pulse width low	40%	60%	MDC period

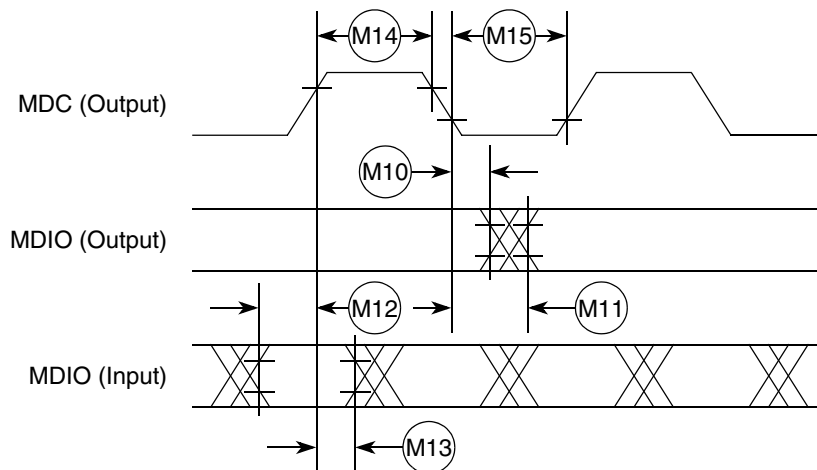


Figure 22. MII Serial Management Channel Timing Diagram



## 12 General Timing Specifications

Table 19 lists timing specifications for the GPIO, PSC,  $\overline{\text{DREQ}}$ ,  $\overline{\text{DACK}}$ , and external interrupts.

**Table 19. General AC Timing Specifications**

Name	Characteristic	Min	Max	Unit
G1	CLKIN high to signal output valid	—	2	PSTCLK
G2	CLKIN high to signal invalid (output hold)	0	—	ns
G3	Signal input pulse width	2	—	PSTCLK

## 13 I<sup>2</sup>C Input/Output Timing Specifications

Table 20 lists specifications for the I<sup>2</sup>C input timing parameters shown in Figure 23.

**Table 20. I<sup>2</sup>C Input Timing Specifications between SCL and SDA**

Num	Characteristic	Min	Max	Units
I1	Start condition hold time	2	—	Bus clocks
I2	Clock low period	8	—	Bus clocks
I3	SCL/SDA rise time ( $V_{IL} = 0.5 \text{ V}$ to $V_{IH} = 2.4 \text{ V}$ )	—	1	mS
I4	Data hold time	0	—	ns
I5	SCL/SDA fall time ( $V_{IH} = 2.4 \text{ V}$ to $V_{IL} = 0.5 \text{ V}$ )	—	1	mS
I6	Clock high time	4	—	Bus clocks
I7	Data setup time	0	—	ns
I8	Start condition setup time (for repeated start condition only)	2	—	Bus clocks
I9	Stop condition setup time	2	—	Bus clocks

Table 21 lists specifications for the I<sup>2</sup>C output timing parameters shown in Figure 23.

**Table 21. I<sup>2</sup>C Output Timing Specifications between SCL and SDA**

Num	Characteristic	Min	Max	Units
I1 <sup>1</sup>	Start condition hold time	6	—	Bus clocks
I2 <sup>1</sup>	Clock low period	10	—	Bus clocks
I3 <sup>2</sup>	SCL/SDA rise time ( $V_{IL} = 0.5 \text{ V}$ to $V_{IH} = 2.4 \text{ V}$ )	—	—	$\mu\text{S}$
I4 <sup>1</sup>	Data hold time	7	—	Bus clocks
I5 <sup>3</sup>	SCL/SDA fall time ( $V_{IH} = 2.4 \text{ V}$ to $V_{IL} = 0.5 \text{ V}$ )	—	3	ns
I6 <sup>1</sup>	Clock high time	10	—	Bus clocks
I7 <sup>1</sup>	Data setup time	2	—	Bus clocks
I8 <sup>1</sup>	Start condition setup time (for repeated start condition only)	20	—	Bus clocks
I9 <sup>1</sup>	Stop condition setup time	10	—	Bus clocks

## JTAG and Boundary Scan Timing

- <sup>1</sup> Output numbers depend on the value programmed into the IFDR; an IFDR programmed with the maximum frequency (IFDR = 0x20) results in minimum output timings as shown in Table 21. The I<sup>2</sup>C interface is designed to scale the actual data transition time to move it to the middle of the SCL low period. The actual position is affected by the prescale and division values programmed into the IFDR; however, the numbers given in Table 21 are minimum values.
- <sup>2</sup> Because SCL and SDA are open-collector-type outputs, which the processor can only actively drive low, the time SCL or SDA take to reach a high level depends on external signal capacitance and pull-up resistor values.
- <sup>3</sup> Specified at a nominal 50-pF load.

Figure 23 shows timing for the values in Table 20 and Table 21.

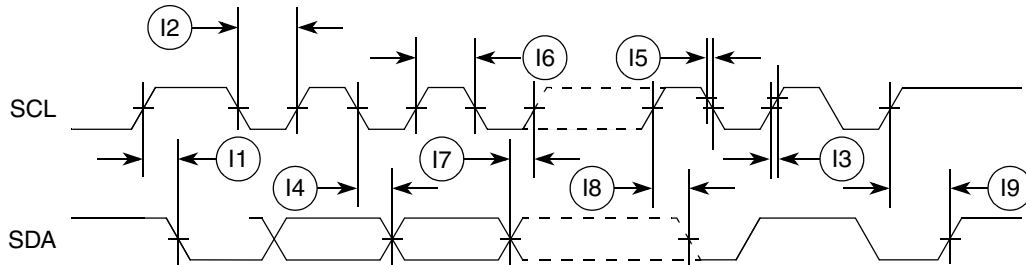


Figure 23. I<sup>2</sup>C Input/Output Timings

## 14 JTAG and Boundary Scan Timing

Table 22. JTAG and Boundary Scan Timing

Num	Characteristics <sup>1</sup>	Symbol	Min	Max	Unit
J1	TCLK Frequency of Operation	$f_{JCYC}$	DC	10	MHz
J2	TCLK Cycle Period	$t_{JCYC}$	2	—	$t_{CK}$
J3	TCLK Clock Pulse Width	$t_{JCW}$	15.15	—	ns
J4	TCLK Rise and Fall Times	$t_{JCRF}$	0.0	3.0	ns
J5	Boundary Scan Input Data Setup Time to TCLK Rise	$t_{BSDST}$	5.0	—	ns
J6	Boundary Scan Input Data Hold Time after TCLK Rise	$t_{BSDHT}$	24.0	—	ns
J7	TCLK Low to Boundary Scan Output Data Valid	$t_{BSDV}$	0.0	15.0	ns
J8	TCLK Low to Boundary Scan Output High Z	$t_{BSDZ}$	0.0	15.0	ns
J9	TMS, TDI Input Data Setup Time to TCLK Rise	$t_{TAPBST}$	5.0	—	ns
J10	TMS, TDI Input Data Hold Time after TCLK Rise	$t_{TAPBHT}$	10.0	—	ns
J11	TCLK Low to TDO Data Valid	$t_{TDODV}$	0.0	20.0	ns
J12	TCLK Low to TDO High Z	$t_{TDODZ}$	0.0	15.0	ns
J13	$\overline{TRST}$ Assert Time	$t_{TRSTAT}$	100.0	—	ns
J14	$\overline{TRST}$ Setup Time (Negation) to TCLK High	$t_{TRSTST}$	10.0	—	ns

<sup>1</sup> MTMOD is expected to be a static signal. Hence, it is not associated with any timing

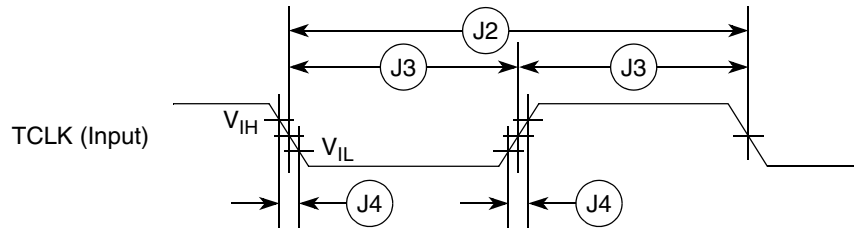


Figure 24. Test Clock Input Timing

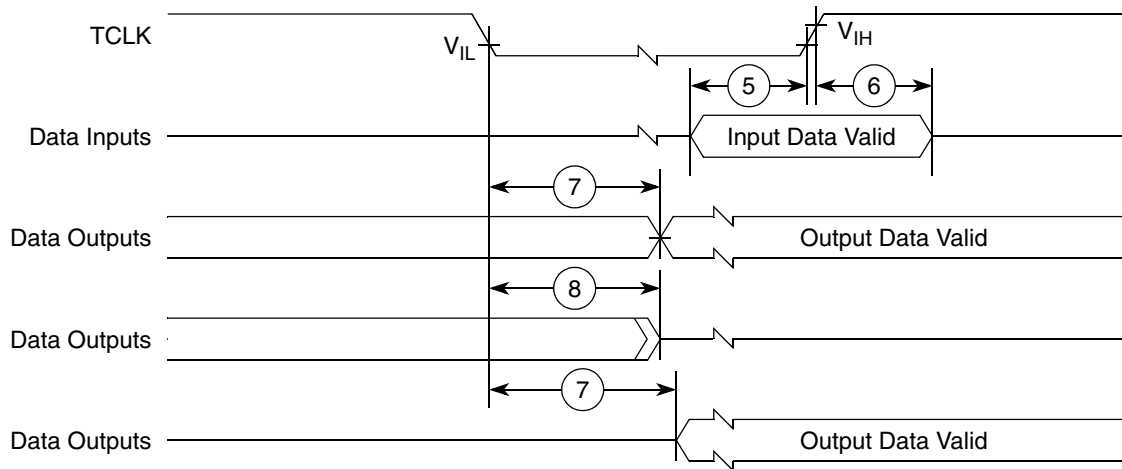


Figure 25. Boundary Scan (JTAG) Timing

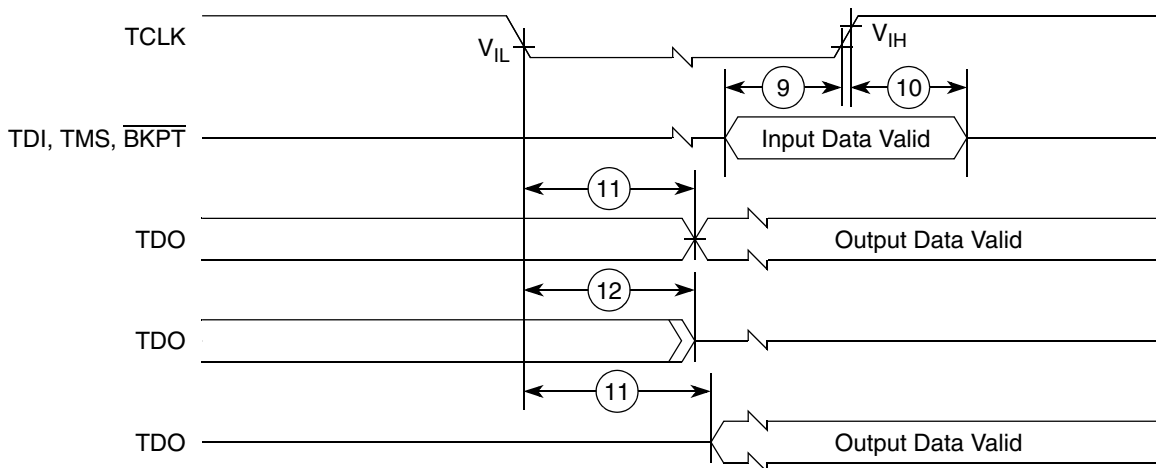


Figure 26. Test Access Port Timing

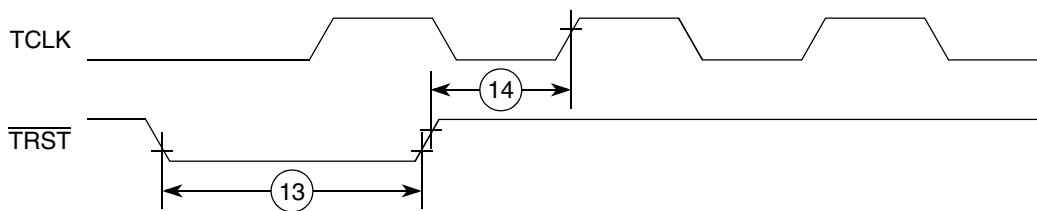


Figure 27. TRST Timing Debug AC Timing Specifications

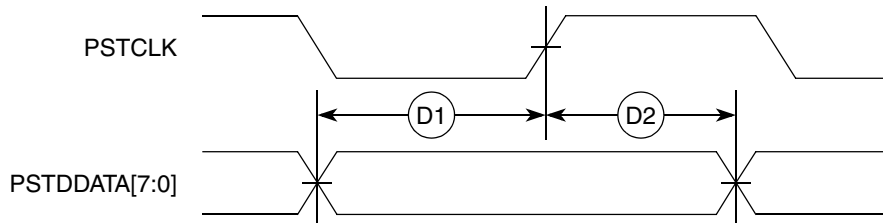
Table 23 lists specifications for the debug AC timing parameters shown in Figure 29.

**Table 23. Debug AC Timing Specifications**

Num	Characteristic	66 MHz		Units
		Min	Max	
D1	PSTDDATA to PSTCLK setup	4.5	—	ns
D2	PSTCLK to PSTDDATA hold	4.5	—	ns
D3	DSI-to-DSCLK setup	1	—	PSTCLKs
D4 <sup>1</sup>	DSCLK-to-DSO hold	4	—	PSTCLKs
D5	DSCLK cycle time	5	—	PSTCLKs

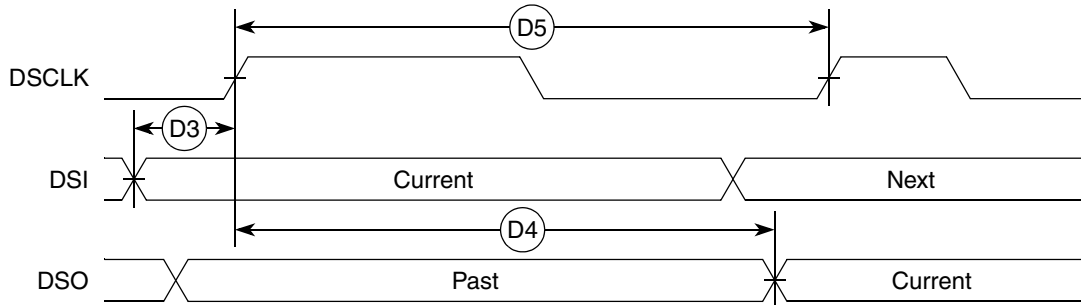
<sup>1</sup> DSCLK and DSI are synchronized internally. D4 is measured from the synchronized DSCLK input relative to the rising edge of CLKOUT.

Figure 28 shows real-time trace timing for the values in Table 23.



**Figure 28. Real-Time Trace AC Timing**

Figure 29 shows BDM serial port AC timing for the values in Table 23.



**Figure 29. BDM Serial Port AC Timing**

# 15 DSPI Electrical Specifications

Table 24 lists DSPI timings.

Table 24. DSPI Modules AC Timing Specifications

Name	Characteristic	Min	Max	Unit
DS1	DSPI_CS[3:0] to DSPI_CLK	1 × tck	510 × tck	ns
DS2	DSPI_CLK high to DSPI_DOUT valid.	—	12	ns
DS3	DSPI_CLK high to DSPI_DOUT invalid. (Output hold)	2	—	ns
DS4	DSPI_DIN to DSPI_CLK (Input setup)	10	—	ns
DS5	DSPI_DIN to DSPI_CLK (Input hold)	10	—	ns

The values in Table 24 correspond to Figure 30.

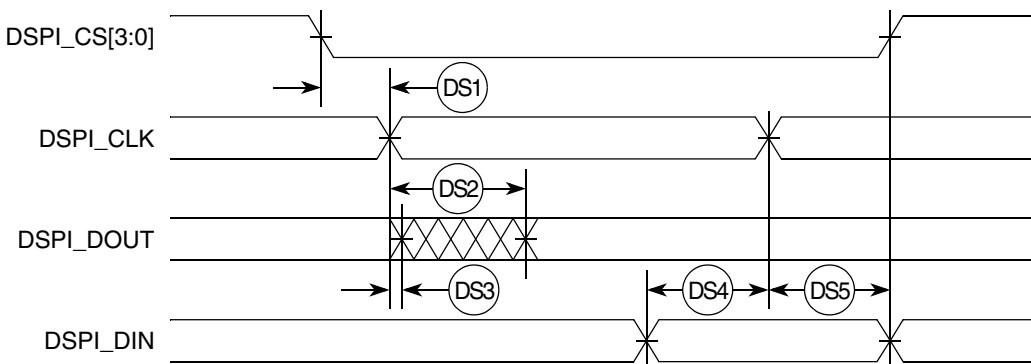


Figure 30. DSPI Timing

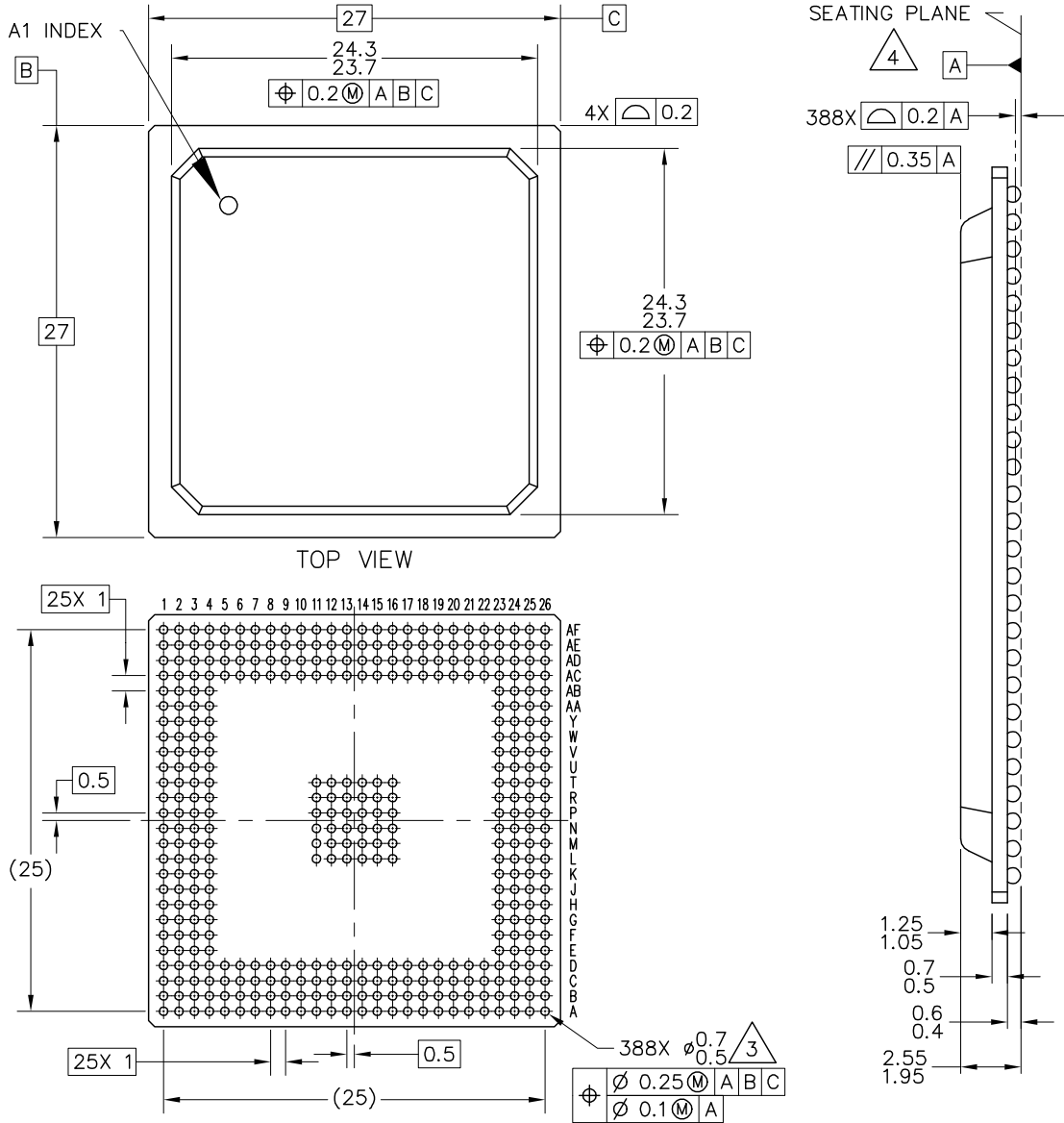
# 16 Timer Module AC Timing Specifications

Table 25 lists timer module AC timings.

Table 25. Timer Module AC Timing Specifications

Name	Characteristic	0–66 MHz		Unit
		Min	Max	
T1	TIN0 / TIN1 / TIN2 / TIN3 cycle time	3	—	PSTCLK
T2	TIN0 / TIN1 / TIN2 / TIN3 pulse width	1	—	PSTCLK

# 17 Case Drawing



© FREESCALE SEMICONDUCTOR, INC. ALL RIGHTS RESERVED.		MECHANICAL OUTLINE		SIDE VIEW PRINT VERSION NOT TO SCALE	
TITLE: 388 I/O, PBGA 27 X 27 PKG, 1 MM PITCH (OMPAC)		DOCUMENT NO: 98ARS23880W		REV: C	
		CASE NUMBER: 1164-02		25 JAN 2007	
		STANDARD: JEDEC MS-034 AAL-1			

## NOTES:

1. ALL DIMENSIONS IN MILLIMETERS.
2. DIMENSIONING AND TOLERANCING PER ASME Y14.5M-1994.
3. MAXIMUM SOLDER BALL DIAMETER MEASURED PARALLEL TO DATUM A.
4. DATUM A, THE SEATING PLANE, IS DETERMINED BY THE SPHERICAL CROWNS OF THE SOLDER BALLS.
5. PACKAGE CODES:  
     5254 - 2 LAYER SUBSTRATE PACKAGE  
     5367 - 4 LAYER SUBSTRATE PACKAGE

© FREESCALE SEMICONDUCTOR, INC. ALL RIGHTS RESERVED.	<b>MECHANICAL OUTLINE</b>	PRINT VERSION NOT TO SCALE	
TITLE: 388 I/O, PBGA 27 X 27 PKG, 1 MM PITCH (OMPAC)	DOCUMENT NO: 98ARS23880W	REV: C	
	CASE NUMBER: 1164-02	25 JAN 2007	
	STANDARD: JEDEC MS-034 AAL-1		

**Figure 31. 388-pin BGA Case Outline**

# 18 Revision History

Revision Number	Date	Substantive Changes
2.2	August 29, 2005	<a href="#">Table 7</a> : Changed C1 maximum spec from 33.3 ns to 40 ns.
2.3	August 30, 2005	<a href="#">Table 22</a> : Changed J11 maximum from 15 ns to 20 ns.
2.4	December 14, 2005	<a href="#">Table 10</a> : Changed FB1 maximum from 33.33 ns to 40 ns. <a href="#">Table 14</a> : Changed FB1 maximum from 33.33 ns to 40 ns.
3	February 20, 2007	<a href="#">Table 4</a> : Updated DC electrical specifications, $V_{IL}$ and $V_{IH}$ . <a href="#">Table 6</a> : Changed FlexBus output load from 20pF to 30pF. Added <a href="#">Section 4.3</a> , "General USB Layout Guidelines."
4	December 4, 2007	<a href="#">Figure 2</a> : Changed resistor value from 10W to 10 $\Omega$ <a href="#">Figure 3</a> : Changed note 1 in from "IVDD should not exceed EVDD, SD VDD or PLL VDD by more than 0.4V..." to "IVDD should not exceed EVDD or SD VDD by more than 0.4V..." <a href="#">Table 3</a> : Updated thermal information for $\theta_{JMA}$ , $\theta_{JB}$ , and $\theta_{JC}$ <a href="#">Table 4</a> : Added input leakage current spec. <a href="#">Table 6</a> : Added footnote regarding pads having balanced source & sink current. <a href="#">Table 9</a> : Added $\overline{RSTI}$ pulse duration spec. Added features list, pinout drawing, block diagram, and case outline.





THIS PAGE INTENTIONALLY BLANK

## How to Reach Us:

### Home Page:

[www.freescale.com](http://www.freescale.com)

### Web Support:

<http://www.freescale.com/support>

### USA/Europe or Locations Not Listed:

Freescale Semiconductor, Inc.  
Technical Information Center, EL516  
2100 East Elliot Road  
Tempe, Arizona 85284  
+1-800-521-6274 or +1-480-768-2130  
[www.freescale.com/support](http://www.freescale.com/support)

### Europe, Middle East, and Africa:

Freescale Halbleiter Deutschland GmbH  
Technical Information Center  
Schatzbogen 7  
81829 Muenchen, Germany  
+44 1296 380 456 (English)  
+46 8 52200080 (English)  
+49 89 92103 559 (German)  
+33 1 69 35 48 48 (French)  
[www.freescale.com/support](http://www.freescale.com/support)

### Japan:

Freescale Semiconductor Japan Ltd.  
Headquarters  
ARCO Tower 15F  
1-8-1, Shimo-Meguro, Meguro-ku,  
Tokyo 153-0064  
Japan  
0120 191014 or +81 3 5437 9125  
[support.japan@freescale.com](mailto:support.japan@freescale.com)

### Asia/Pacific:

Freescale Semiconductor Hong Kong Ltd.  
Technical Information Center  
2 Dai King Street  
Tai Po Industrial Estate  
Tai Po, N.T., Hong Kong  
+800 2666 8080  
[support.asia@freescale.com](mailto:support.asia@freescale.com)

### For Literature Requests Only:

Freescale Semiconductor Literature Distribution Center  
P.O. Box 5405  
Denver, Colorado 80217  
1-800-441-2447 or 303-675-2140  
Fax: 303-675-2150  
[LDCForFreescaleSemiconductor@hibbertgroup.com](mailto:LDCForFreescaleSemiconductor@hibbertgroup.com)

Document Number: MCF5475EC

Rev. 4

12/2007

Information in this document is provided solely to enable system and software implementers to use Freescale Semiconductor products. There are no express or implied copyright licenses granted hereunder to design or fabricate any integrated circuits or integrated circuits based on the information in this document.

Freescale Semiconductor reserves the right to make changes without further notice to any products herein. Freescale Semiconductor makes no warranty, representation or guarantee regarding the suitability of its products for any particular purpose, nor does Freescale Semiconductor assume any liability arising out of the application or use of any product or circuit, and specifically disclaims any and all liability, including without limitation consequential or incidental damages. "Typical" parameters that may be provided in Freescale Semiconductor data sheets and/or specifications can and do vary in different applications and actual performance may vary over time. All operating parameters, including "Typicals", must be validated for each customer application by customer's technical experts. Freescale Semiconductor does not convey any license under its patent rights nor the rights of others. Freescale Semiconductor products are not designed, intended, or authorized for use as components in systems intended for surgical implant into the body, or other applications intended to support or sustain life, or for any other application in which the failure of the Freescale Semiconductor product could create a situation where personal injury or death may occur. Should Buyer purchase or use Freescale Semiconductor products for any such unintended or unauthorized application, Buyer shall indemnify and hold Freescale Semiconductor and its officers, employees, subsidiaries, affiliates, and distributors harmless against all claims, costs, damages, and expenses, and reasonable attorney fees arising out of, directly or indirectly, any claim of personal injury or death associated with such unintended or unauthorized use, even if such claim alleges that Freescale Semiconductor was negligent regarding the design or manufacture of the part.

RoHS-compliant and/or Pb-free versions of Freescale products have the functionality and electrical characteristics as their non-RoHS-compliant and/or non-Pb-free counterparts. For further information, see <http://www.freescale.com> or contact your Freescale sales representative.

For information on Freescale's Environmental Products program, go to <http://www.freescale.com/epp>.

Freescale™ and the Freescale logo are trademarks of Freescale Semiconductor, Inc. All other product or service names are the property of their respective owners.  
© Freescale Semiconductor, Inc. 2007. All rights reserved.

